



Guidelines for intelligent lighting control.

STEINEL solutions for the DALI world.



Straightforward guidance and practice-related installation plans.

The three STEINEL lighting control systems cover a wide range of demands. Whether uncomplicated room situations, lighting scenarios of a more challenging nature or entire lighting systems, planners and electrical fitters can always offer state-of-the-art and easy-to-operate solutions with our DALI solutions.

LiveLink

System description	08
Classroom (with scenario control).....	12
Conference room (with scenario control)	14
Conference room (with variable partition wall).....	16
Open-plan office (with corridor)	18
Sports hall	20
Triple-purpose sports hall (with LiveLink Connect)	22
Industrial building.....	24
High-bay warehouse.....	26
Sensors and accessories.....	28

DALI plus

System description	32
Multi-storey / underground car park.....	38
Classroom (with blackboard lighting)	40
Open-plan office	42
Open-plan office (with neighbouring-light function)	44
Single office (with HVAC)	46
Sensors	48

DALI broadcast

System description	52
Single office.....	56
Corridor / passageway	58
WC / washroom	60
Stairwell.....	62
Side room (COM1).....	64
Sensors	66

Product overview	70
-------------------------------	----

Guidelines for intelligent lighting control with DALI. This is what it's all about:

Many experts are sceptical of the standard lighting control systems because they are very complicated to install and set up. STEINEL has addressed this problem and now provides the right solutions. Firstly, with the world's leading sensor technology. And secondly, with systems that guarantee the best possible solution for any need and room situation.

This brochure tells you everything you need to know and provides examples of installing systems in the STEINEL DALI WORLD.

DALI plus. The gateway to intelligent lighting control.

- Intelligent DALI presence detector with extensive additional functions
- Mounting heights from 2 to 12 m
- 3 light channels, DALI addressable or broadcast mode
- Up to 64 luminaires, easy to set up via app
- Additional floating relay
- Constant-lighting control and variable basic light functions
- Push-button interface for all 3 light channels for controlling and dimming
- Push-button interface for the floating relay (lighting mode)
- Can be remotely controlled
- IP20

DALI broadcast. Sensors from STEINEL with DALI technology.

- Motion and presence detectors
- 1 or 2 channel broadcast
- 2x 12 or 1x30 luminaires
- Mounting heights from 2 to 14 m
- Constant-lighting control and variable basic light functions
- Motion detector with presence detector switch-off logic
- Push-button interface for controlling and dimming (only for presence detectors)
- Can be remotely controlled
- IP20 to IP54



LiveLink.

Intelligent lighting control, XXL and fully flexible.

- Endless scope for your creativity
- All Steinel sensors are available to you
- Light management has never been more reliable and quicker to plan, install, set up and operate
- With just one control device and two convenient apps, individually definable spaces can be configured and controlled in next to no time
- Installing LiveLink starts with conventional DALI wiring
- LiveLink offers 3 different basic-light scenarios that can be set via app to suit any need
- User-friendly constant-lighting control is also provided
- 16 lighting groups can be created and configured in any way via app
- As many as 64 luminaires can be connected
- Use cases can be used for chosen application scenarios
- LiveLink gives you flexibility at all times – you can match it to changed room situations almost instantly – without any new wiring.





 LiveLink

Benefit from an exceptional partnership.

Two big names, one big goal: Intelligent light for everyone. STEINEL is the technology and innovation leader in the sensor-controlled lighting market segment. TRILUX is the German market leader in professional lighting solutions. Working together, we are the inventors of the simplest lighting control system of all time. Welcome to the new world of light. Welcome to LiveLink!

LiveLink. Lighting control XXL. Full flexibility for today and tomorrow.

LiveLink is the DALI-based light management system developed by STEINEL in cooperation with lighting specialist TRILUX. What used to be very complex and time-consuming can now be configured with LiveLink in just a few minutes without any specialist knowledge or programming experience. Operation is simple and intuitive via tablet or smart-phone. The LiveLink app assists you step by step through the installation process. Common application scenarios, such as in an office or classroom, are stored as so-called use cases and make planning particularly simple. Special, highly sensitive LiveLink sensors from STEINEL permit precision lighting control in line with room use and the prevailing level of daylight.



Plan, configure and customise the intelligent way. All via APP.

To simplify the planning and installation of lights, LiveLink offers the user a series of preset room configurations. These "use cases" give the user the certainty of optimised lighting configured in compliance with industry standards. Grouping lights and presetting them accordingly ensures that the electrical fitter can commission the light management system without any effort at all.

The LiveLink apps are available for the iOS operating system, which is extremely user-friendly. For commissioning, the **LiveLink Install** app provides the fitter with numerous intelligent functions for configuring the light management system quickly, accurately and easily. The **LiveLink Control** app allows the end user to adjust light quickly and simply to personal or situational demands.

LiveLink
Install



iOS

LiveLink
Control



iOS

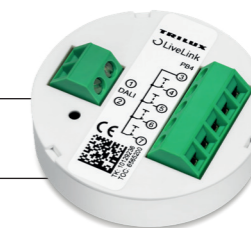
LiveLink. Components and installation principle.

Lighting control has never been more reliable and quicker to plan, install and operate than it is with LiveLink. With just one control device and two convenient apps, individually definable spaces can be configured and controlled in next to no time.

Installing LiveLink starts with conventional DALI wiring:
The components – luminaires, sensors and switches – are connected to the control device via DALI. The control device and luminaires also require a standard mains power connection.



The LiveLink system can be fitted with all DALI luminaires. An extensive range of luminaires for various applications gives planners and architects broad creative flexibility in providing optimum lighting for any situation.



The LiveLink switch coupler offers the capability of integrating up to 4 standard switches into the LiveLink system. It is installed simply behind the switches in the concealed box. Saved lighting scenarios or the set-up for controlling lighting groups can be assigned to individual switches, making them available for selection in everyday use at the press of a button.

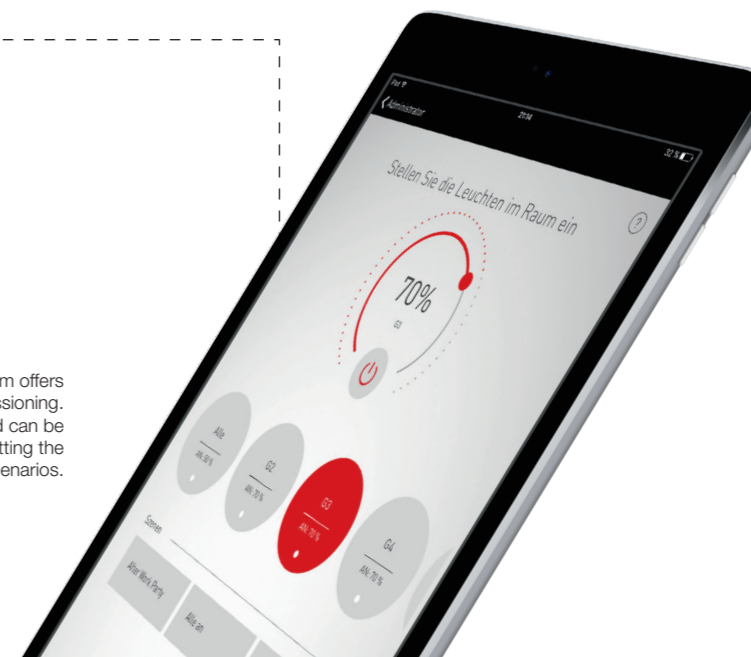


The "sensory organs" of the LiveLink system are the STEINEL sensors from the LiveLink series. Whether infrared, high-frequency technology or ultrasonic technology, whether room, corridor or light sensor, the range offers the right sensor for any application.



The control device features a DALI interface and can be controlled via tablet, smartphone or switch. It can operate up to 16 light groups and 64 individual components. An integrated, autonomous WiFi network provides optimum connection and security.

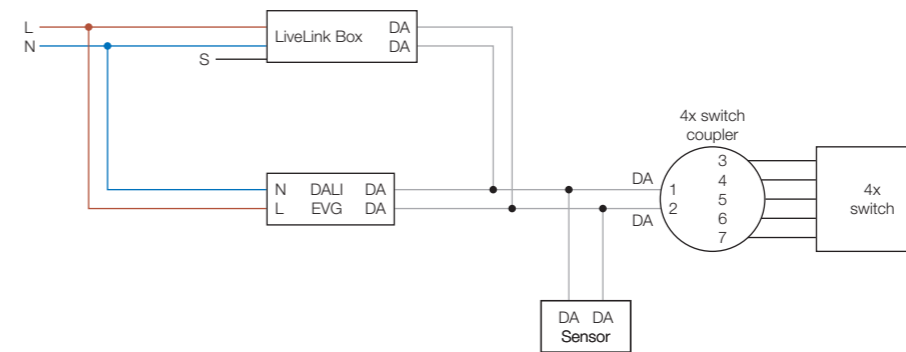
With the **LiveLink Install** app, the LiveLink system offers the appropriate software for configuration and commissioning. The **LiveLink Control** app is for the user and can be operated via tablets or smartphones for setting the brightness of lights or for selecting lighting scenarios.



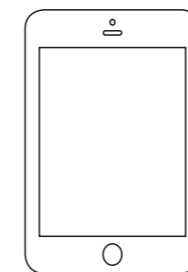
Fully and partially automatic control of three lighting groups within a classroom with the LiveLink system.

LiveLink brings modern lighting management to classrooms and provides easily programmable lighting scenarios to suit any need in hardly any time at all. Window and corridor lighting groups are managed fully automatically via constant-lighting control. Whenever needed, blackboard lighting can be activated by hand (semi-automatic). All lighting groups switch OFF automatically when the room is no longer being used. Lighting can also be switched OFF or dimmed via switch. Various lighting scenarios, such as a presentation scenario, can also be requested very easily at the press of a switch. Providing a presence zone of up to 64 m² (8x8 m), the IR Quattro HD sensor guarantees full coverage of the entire classroom and detects even the smallest of movements. On request, it is also possible to control more than three lighting groups as well as define further lighting scenarios and conveniently select them via switch, tablet or smartphone.

Installation



Commissioning via LiveLink



Connect up to the LiveLink WiFi of the Control Box (password: livelink), start the Install app and select the LiveLink Control Box (password: livelink). Create a new password. Proceed as follows:

- > Select the universal use case
- > Assign luminaires and sensor to lighting groups G1 – G3 and sensor position S1, activate presence detection for all lighting groups and constant-lighting control for the corridor and wall-light group.
- > Create or edit scenarios (settings in the default scenario with 5 minute stay-ON time per sensor and select the ON level for the lighting groups)
- > If required, link the switches to lighting groups and scenarios
- > Conclude commissioning



Product list



IR Quattro HD LiveLink

4,800 switching zones and 8x8m presence zone as well as 20x20m motion detection cover the entire classroom.
EAN 4007841 009717



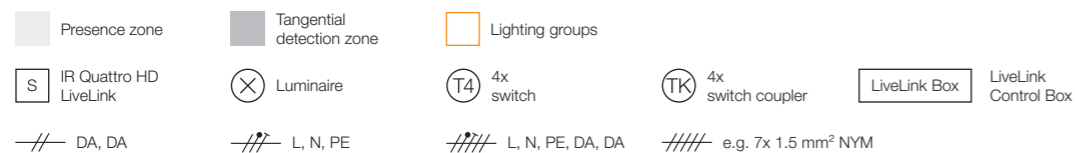
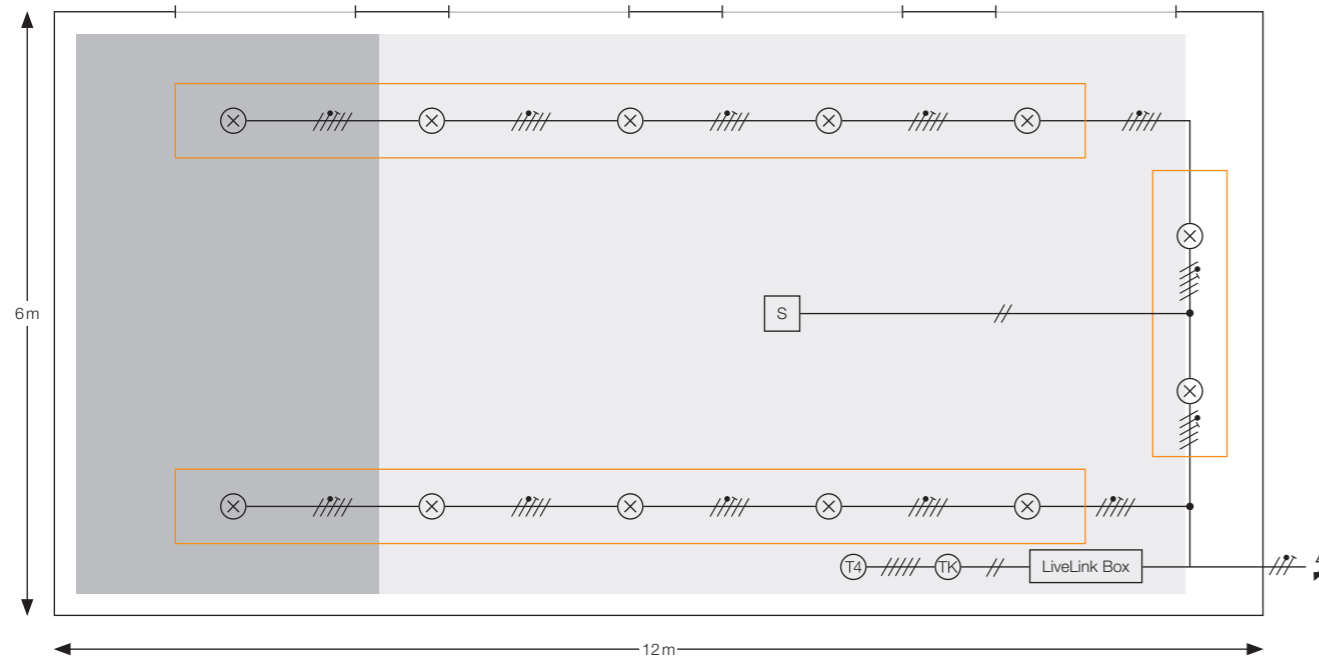
LiveLink Control Box

The control device can be controlled via tablet, smartphone or switch.
EAN 4007841 013653



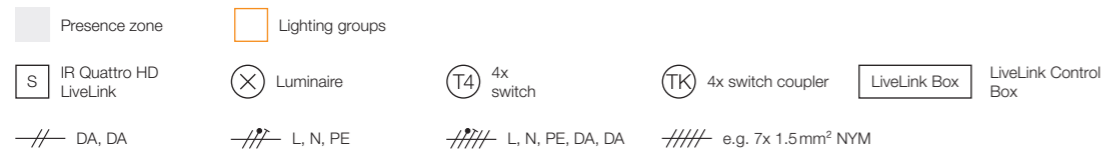
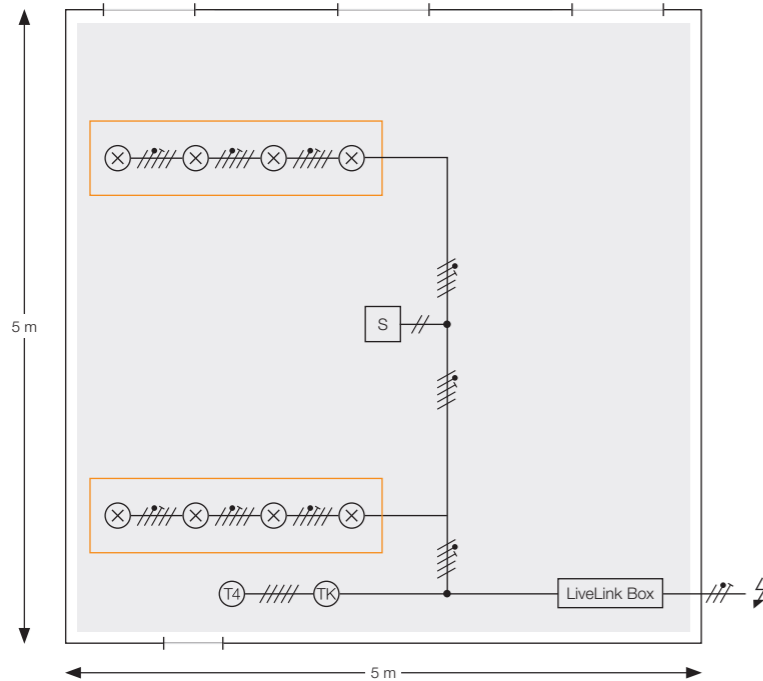
Switch coupler

For integrating up to 4 standard switches.
EAN 4007841 013660

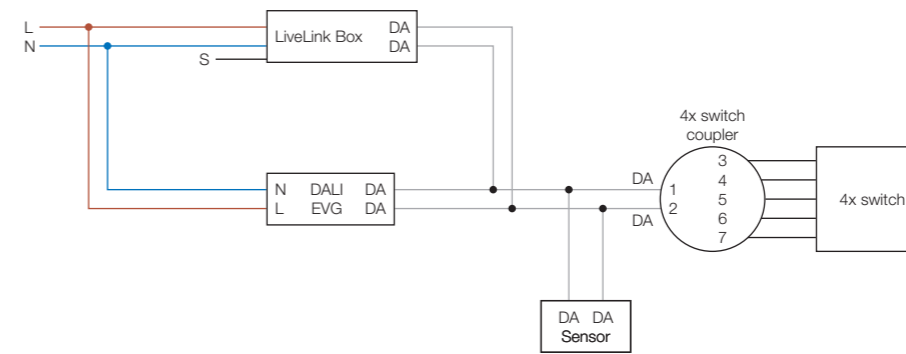


A conference room is provided with two lighting groups controlled via LiveLink.

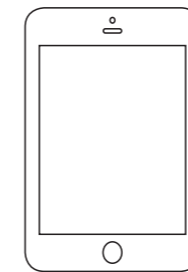
Constant-lighting control is activated for the lighting group on the window side to ensure that daylight is exploited to the full. The IR Quattro HD provides presence detection over the conference room's entire footprint (permitting 64 m² of high-definition presence detection per sensor). Scenarios can be created for various applications, e.g. a presentation mode. These can be opened via switch or the user app. When the last person leaves the room, the sensor switches OFF the lighting after the stay-ON time expires. As an option, basic light level can also be activated to provide a basic level of illumination when someone leaves the room for just a short time.



Installation



Commissioning via LiveLink



Connect up to the LiveLink WiFi of the Control Box (password: livelink), start the Install app and select the LiveLink Control Box (password: livelink). Create a new password. Proceed as follows:

- > Select the universal use case
- > Assign luminaires and sensor to lighting groups G1 – G2 and sensor positions S1 and activate presence detection for the lighting group as well as constant-lighting control for G2
- > Create or edit the default scenarios
- > Create your own defined scenarios
- > Link the switches to the lighting groups and scenarios
- > Conclude commissioning



Product list



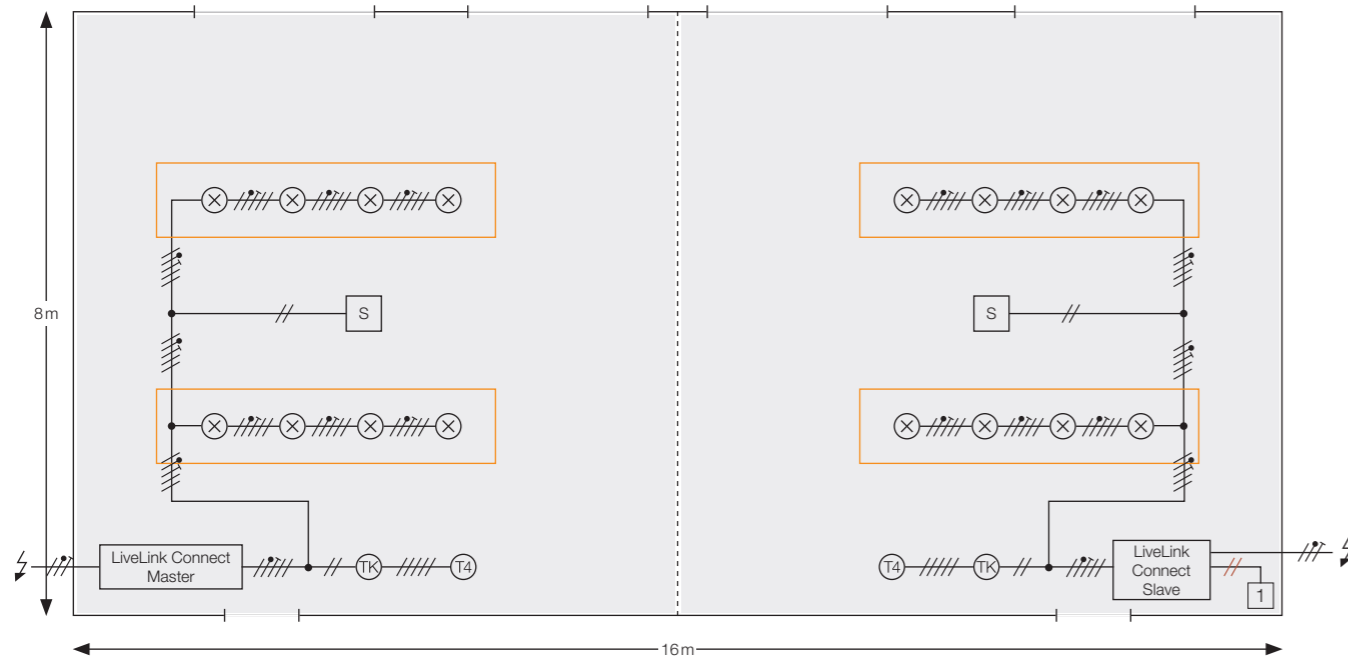
IR Quattro HD LiveLink
4,800 switching zones and 8x8m presence zone prevent inadvertent triggering and blind spots.
EAN 4007841 009717



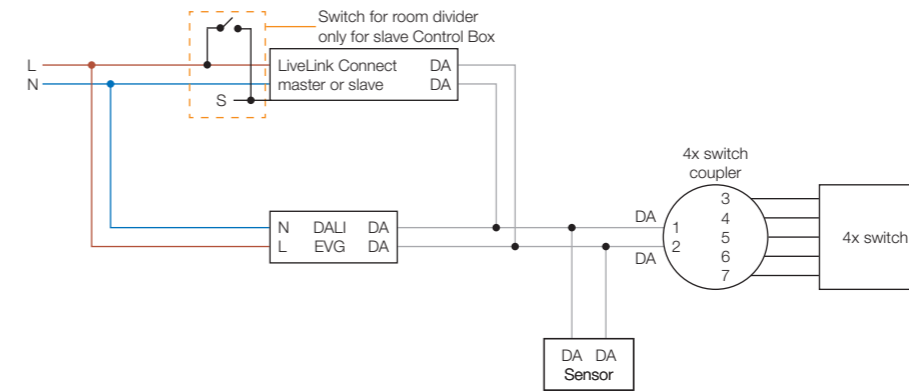
LiveLink Control Box
The control device can be controlled via tablet, smartphone or switch.
EAN 4007841 013653

Conference room with variable partition wall

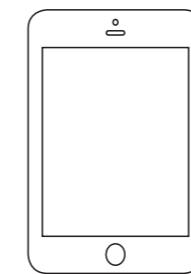
Separate and synchronous control of a conference room that can be divided into sections. With the LiveLink Connect system, conference rooms divided by a partition wall can be provided with individually tailored lighting control. Removing the partition wall re-creates a large conference room, with a LiveLink Connect Control Box taking over control of all the lighting as master. All configurations work with constant-lighting control. Lighting groups can be switched ON and OFF and dimmed via switch. Important for Connect mode: the "use cases" must be identical in both rooms (same lighting groups and sensor positions). The large-scale conference-room solution only responds to input at the master Control Box via switch or control APP. On dividing up the room, a permanent signal must be applied to the S input at the integrated switch / push-button input of the Control Box.



Installation



Commissioning via LiveLink



Connect up to the LiveLink WiFi of the slave Control Box (password: livelink), start the Install app and select the LiveLink Control Box (password: livelink). Create a new password. Proceed as follows:

- > Select conference room use case
- > Assign luminaires and sensor to the lighting groups and sensor position (be careful to use the same groups and positions for the master and slave Control Box)
- > Create or edit the scenarios
- > Link the switches to lighting groups and scenarios
- > Conclude commissioning
- > Under Settings and Master/Slave configuration, set the Control Box to "Automatic switchover"
- > Go to WiFi/HotSpot and integrate the slave Connect Control Box into the master Control Box WiFi (or into a WiFi infrastructure)
- > Connect up to the master Control Box and conclude commissioning with the same use case, lighting group and sensor position
- > Add the slave Control Box under Settings and Master/Slave Configuration
- > The systems are now interconnected and work on their own until the switch is actuated on the slave Control Box



See page 9 for the QR code for downloading app

Product list



IR Quattro HD LiveLink

4,800 switching zones and 8 x 8 m presence detection zone identify the smallest of movements by persons engaged in seated activities.
EAN 4007841 009717



LiveLink Control Box WiFi Connect

Several control devices can be interconnected via their own LiveLink WiFi.
EAN 4007841 035129

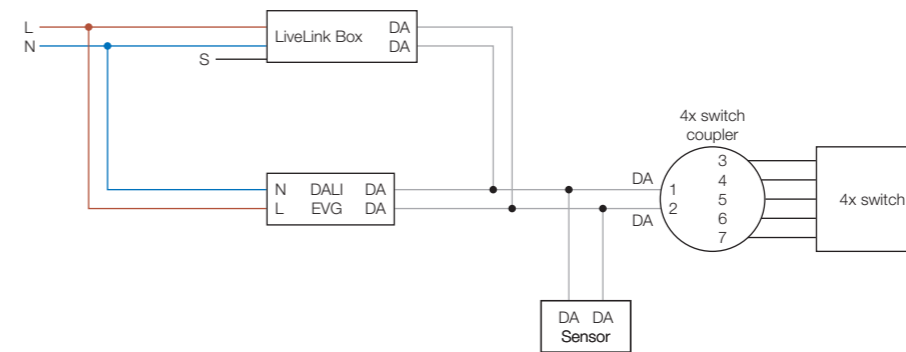


Switch coupler

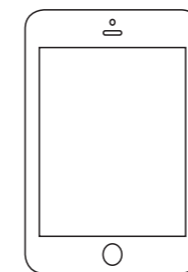
For integrating up to 4 standard switches.
EAN 4007841 013660

Four individually controlled work islands and a corridor controlled fully automatically. The four work islands are each controlled by one sensor with constant-lighting control capability (or by switched operation). The corridor is located outside the work zones and controlled fully automatically. Lighting switches to basic light level when no one is present in the corridor during working hours. The four lighting groups in the office area can be overridden manually via switch (ON/OFF, dimming). Depending on size, office areas are fitted with an IR Quattro HD with a presence zone of up to 64 m² or an IR Quattro SLIM XS with a 16 m² presence zone. If corridor and office area are separated by a wall, the corridor is fitted with a DUAL HF system. An IS 345 is used if the corridor is part of an open-plan office landscape.

Installation



Commissioning via LiveLink



- Connect up to the LiveLink WiFi of the Control Box (password: livelink), start the Install app and select the LiveLink Control Box (password: livelink). Create a new password. Proceed as follows:
- > Select the universal use case
 - > Assign luminaires and sensor to lighting groups G1 – G5 and sensor positions S1 – S5 and activate presence detection for the particular lighting group (sensor lighting group combination) and constant-lighting control for the sensors and lighting groups in the office area
 - > Create or edit the default scenario
 - > Link the switches to the lighting groups (no scenario links in this application case)
 - > Conclude commissioning
 - > Open the basic light menu under Room Management and select the corridor lighting group's sensor
 - > Click time of day and set basic light level to 20%, and select the times and days you want basic light level to be activated
 - > Select Done to conclude settings



Product list



IR Quattro HD LiveLink
Mechanical scalability of the detection zone for defining work islands.
EAN 4007841 009717



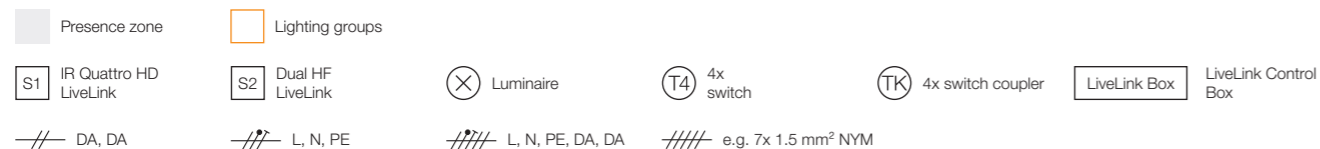
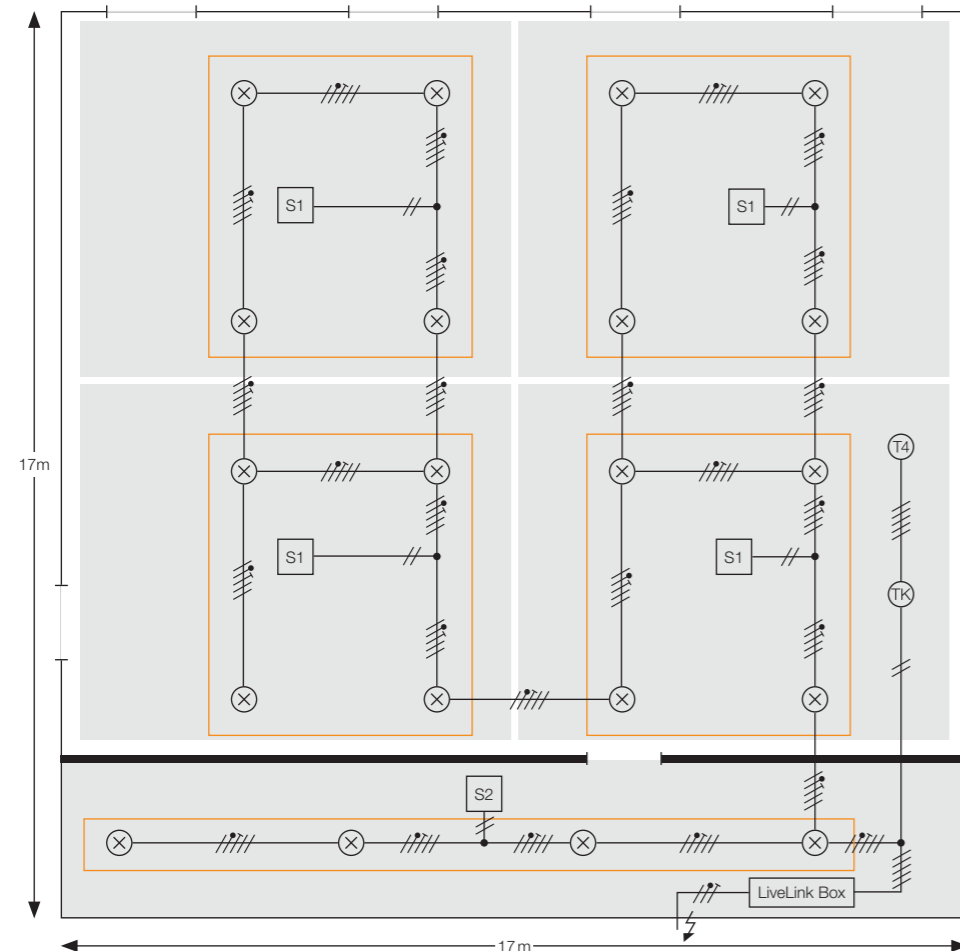
Dual HF LiveLink
High-frequency sensor for full, precision detection with a reach of up to 20 metres.
EAN 4007841 003005



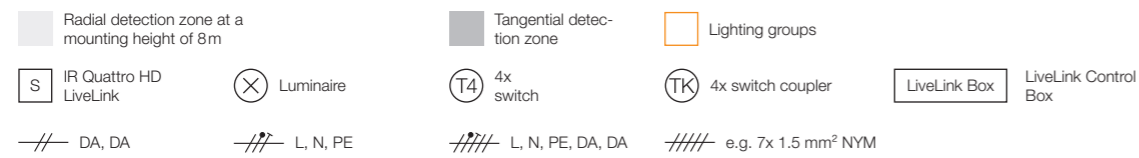
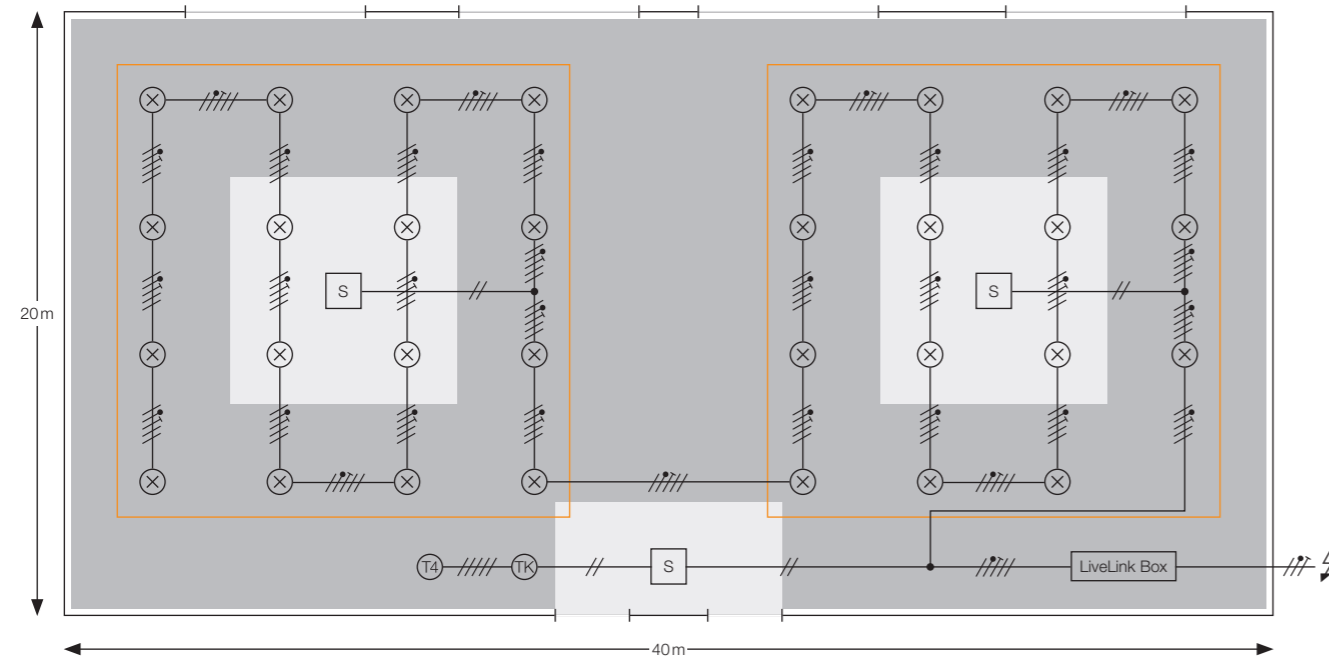
LiveLink Control Box
Control of up to 64 DALI users in 16 groups.
EAN 4007841 013653



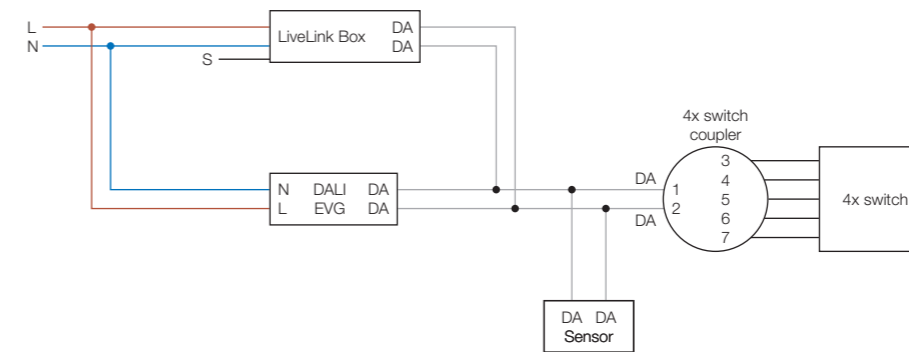
Switch coupler
For integrating up to 4 standard switches.
EAN 4007841 013660



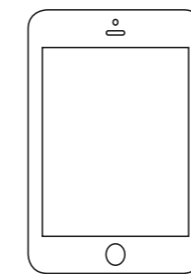
Watching over sports area and entrance zone with three IR Quattro HD sensors. Both lighting groups in the sports hall are controlled via three IR Quattro HD sensors. Two of the sensors watch over the sports area – with tangential surveillance zone. The third sensor covers the area leading into the gymnasium because this demands radial motion detection (movements towards the detector). To detect walking movements (tangential), the IR Quattro HD has a detection zone of 20x20m from a height of 2.8m and 30x30m from a height of 6m. The maximum mounting height is 10m. The lighting groups can be switched ON and OFF and dimmed via switch. Various lighting scenarios can also be activated.



Installation



Commissioning via LiveLink



Connect up to the LiveLink WiFi of the Control Box (password: livelink), start the Install app and select the LiveLink Control Box (password: livelink). Create a new password. Proceed as follows:

- > Select the universal use case
- > Assign luminaires and sensor to lighting groups G1 – G2 and sensor positions S1 – S3 and activate presence detection for the lighting groups
- > Create or edit the default scenario
- > Link the switches to the lighting groups and scenarios
- > Conclude commissioning



Product list



IR Quattro HD LiveLink
Mounting height up to 10m and a detection zone of up to 36x36m.
EAN 4007841 009717

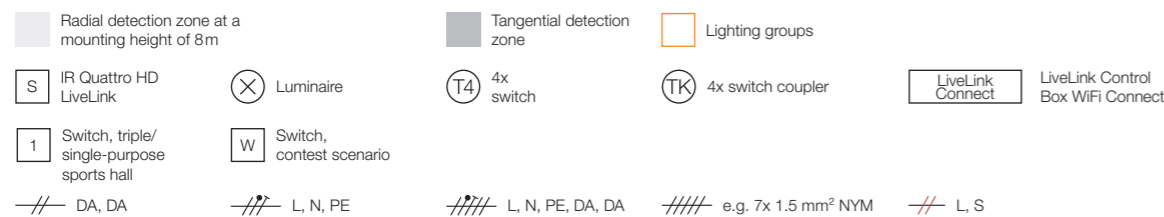
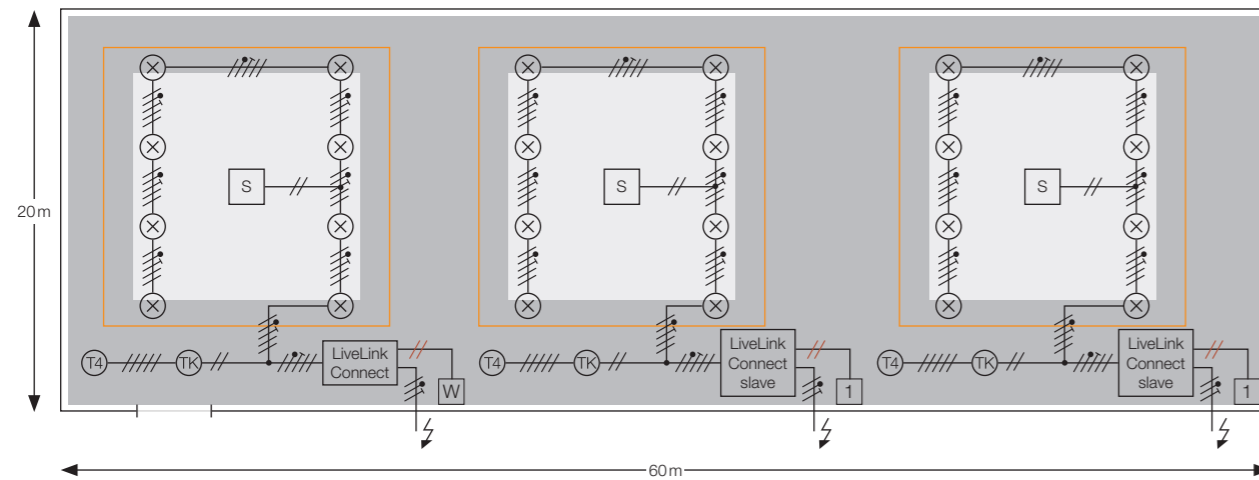


LiveLink Control Box
Various lighting scenarios can be defined for different activities in the sports hall.
EAN 4007841 013653

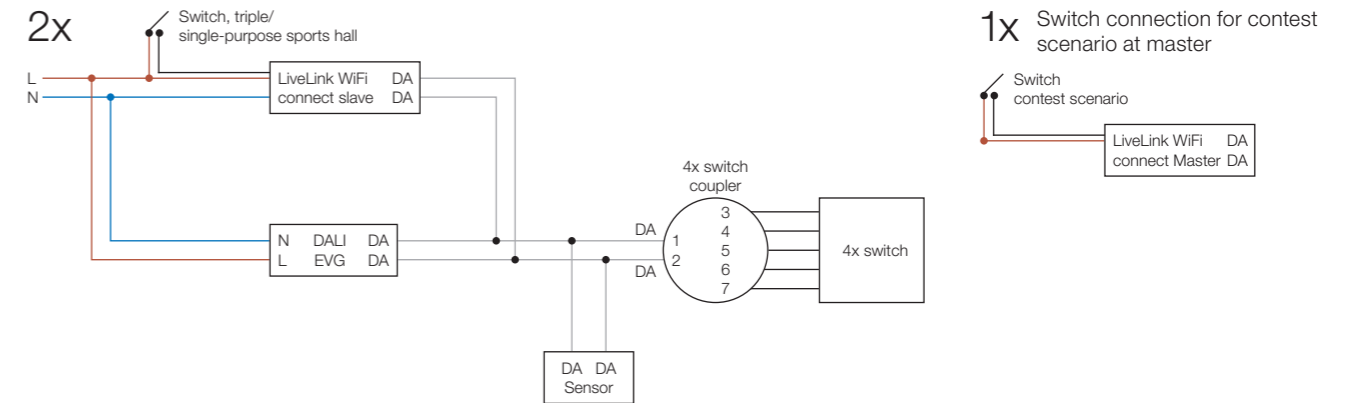


Switch coupler
For integrating up to 4 standard switches.
EAN 4007841 013660

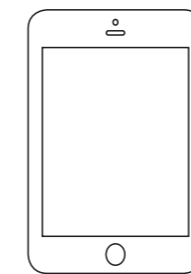
Separate and synchronous control of three sports-hall zones. Triple-purpose sports halls place particular demands on the lighting management system. In the triple-purpose sports hall, each zone must be controlled separately. Used as an undivided sports area, the entire facility must function as an overall system. The LiveLink Connect solution first of all provides the basis for configuring three individual systems. When used as a single-purpose sports hall, one of the LiveLink Connect Control Boxes becomes the master Control Box and also controls the lighting groups of the other two Control Boxes (slaves). Each part of the triple-purpose sports hall works with constant-lighting control and can be controlled by hand with its own switch (scenarios or ON/OFF/dimming). In a single-purpose sports hall, the facility is controlled via the master Control Box switches only. By activating a contest scenario via switch on the master Control Box, lighting intensity can be increased even further for league matches or tournaments. Important for Connect mode: the "use cases" must be identical in all parts of the facility (same lighting groups and sensor positions).



Installation



Commissioning via LiveLink



- Connect up to the LiveLink WiFi of the slave Control Box (password: livelink), start the Install app and select the LiveLink Control Box (password: livelink). Create a new password. Proceed as follows:
- > Select sports hall use case
 - > Assign luminaires and sensor to the lighting groups and sensor position (be careful to use the same groups and positions for the master)
 - > Create or edit the scenarios
 - > Link the switches to lighting groups and scenarios
 - > Conclude commissioning
 - > Under Settings and Master/Slave Configuration, set the WiFi Connect Control Box to "Automatic switchover"
 - > Go to WiFi/HotSpot and integrate the slave WiFi Connect Control Box into the master Control Box WiFi (or into a WiFi infrastructure)
 - > Repeat the above steps for the second slave Control Box
 - > Connect up to the master Control Box and conclude commissioning with the same use case, lighting group and sensor position
 - > Add the slave Control Box under Settings and Master/Slave Configuration
 - > The systems are now interconnected and work on their own until the switch is actuated on the slave Control Box



Product list



IR Quattro HD LiveLink
Mounting height up to 10m and a detection zone of up to 36x36m.
EAN 4007841 009717

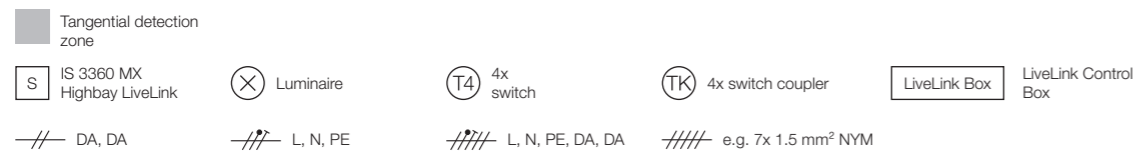
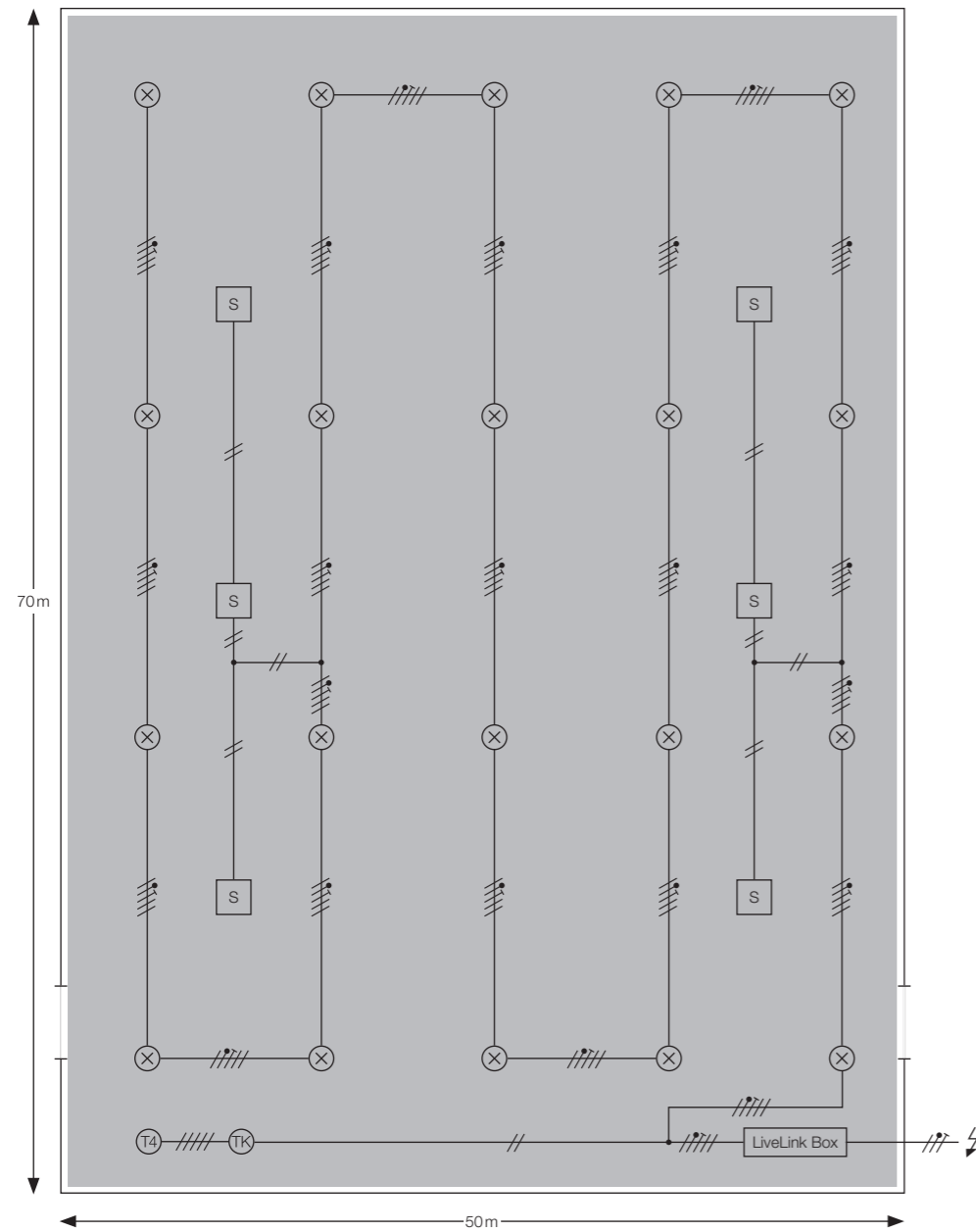


WiFi Connect LiveLink Control Box
Triple and single-purpose sports hall use can be activated by switch.
EAN 4007841 035129

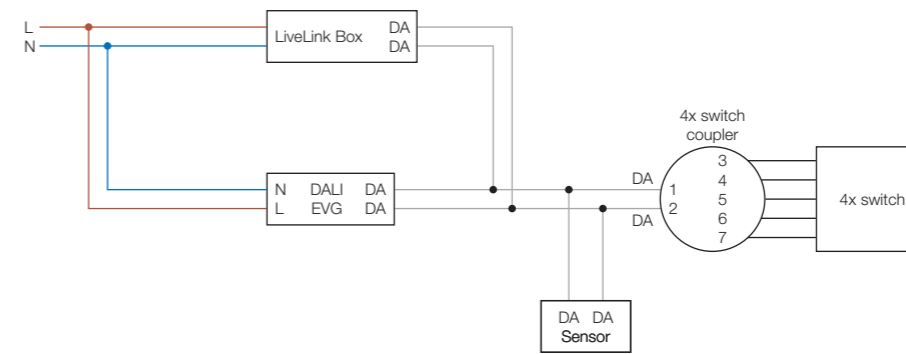


Switch coupler
For integrating up to 4 standard switches.
EAN 4007841 013660

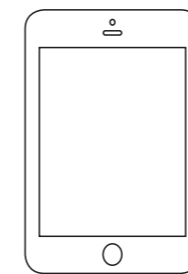
Reliable detection quality from a great installation height. The IS 3360 MX Highbay is designed specifically for installing at heights of up to 14 m, making it the ideal choice for use in industrial buildings. Taking daylight into consideration, constant-lighting control always maintains illumination at the chosen level. All or individual lighting groups as well as various lighting scenarios (e.g. work illumination, light for cleaning etc.) can be activated via switch. If required, the building can be switched to basic light level when not in use – as a warning that lighting will be switched OFF, at set times or also as a permanent lighting solution.



Installation



Commissioning via LiveLink



- Connect up to the LiveLink WiFi of the Control Box (password: livelink), start the Install app and select the LiveLink Control Box (password: livelink). Create a new password. Proceed as follows:
- > Select the universal use case
 - > Assign luminaires and sensor to lighting groups G1 – G6 and sensor positions S1 – S6 and activate presence detection for the lighting groups
 - > Create or edit the default scenario
 - > Link the switches to the lighting groups and scenarios
 - > Conclude commissioning
 - > Optional if basic light level is required:
 - > Open the basic light menu under Room Management and select the sensor of the lighting groups for which basic light level is to be activated
 - > Select basic light level type: permanent, time interval (e.g. 10 minutes before switching OFF completely) or time of day (e.g. 6 a.m. – 5 p.m.) and set basic light to chosen % level (e.g. 20%) and select the days on which basic light level is to be activated
 - > Select Done to conclude settings



Product list



IS 3360 MX Highbay LiveLink
 Mounting heights of up to 14 m are perfect for watching over high spaces.
 For EANs, see page 29



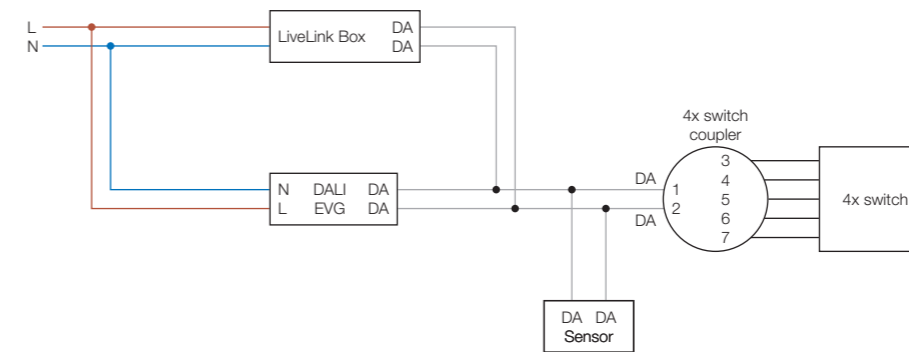
LiveLink Control Box
 Three basic lighting modes are provided: time interval, time of day, permanent
 EAN 4007841 013653



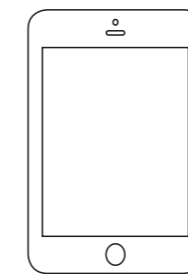
Switch coupler
 For integrating up to 4 standard switches.
 EAN 4007841 013660

Installation of five lighting groups interconnected with LiveLink via app. The DALI luminaires are assigned to the lighting groups and the relevant sensor via the LiveLink installation app. With its detection zone of up to 30 x 4 m, each sensor watches over one aisle. Movement detection and light measurement provide the basis for controlling individual lighting groups in the aisles in exactly the way that is needed. Various scenarios, such as "Automatic Mode", "Cleaning Mode" or "Everything OFF", can be created quickly and easily, and selected whenever required via switch or app. When no one is present in an aisle, lighting is dimmed down to a basic light level (10-50%). This basic light level is activated during normal working hours (7 a.m.-6 p.m.). Outside these times, lighting is switched off completely.

Installation



Commissioning via LiveLink



- Connect up to the LiveLink WiFi of the Control Box (password: livelink), start the Install app and select the LiveLink Control Box (password: livelink). Create a new password. Proceed as follows:
- > Select the universal use case
- > Assign luminaires and sensors to lighting groups G1 – G5 and sensor positions S1 – S5 and activate presence detection, deactivate constant-lighting control
- > Create or edit scenarios (settings in the default scenario with 10 minute stay-ON time per sensor and select the ON level for the lighting groups)
- > If required, link switches to lighting groups and scenarios
- > Conclude commissioning and select room management
- > Select basic light level and create a basic light level with time interval for each sensor.
- > Select basic light level in %, define working hours (e.g. 7 a.m. – 6 p.m.) and days of the week for basic light level
- > Save the settings



Product list



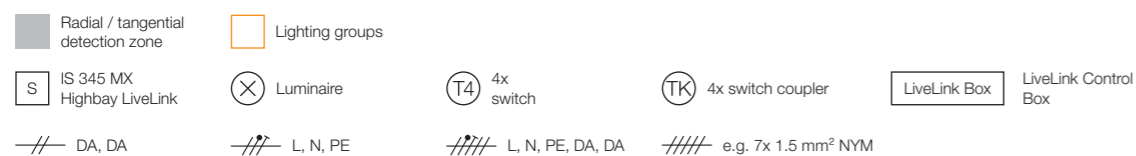
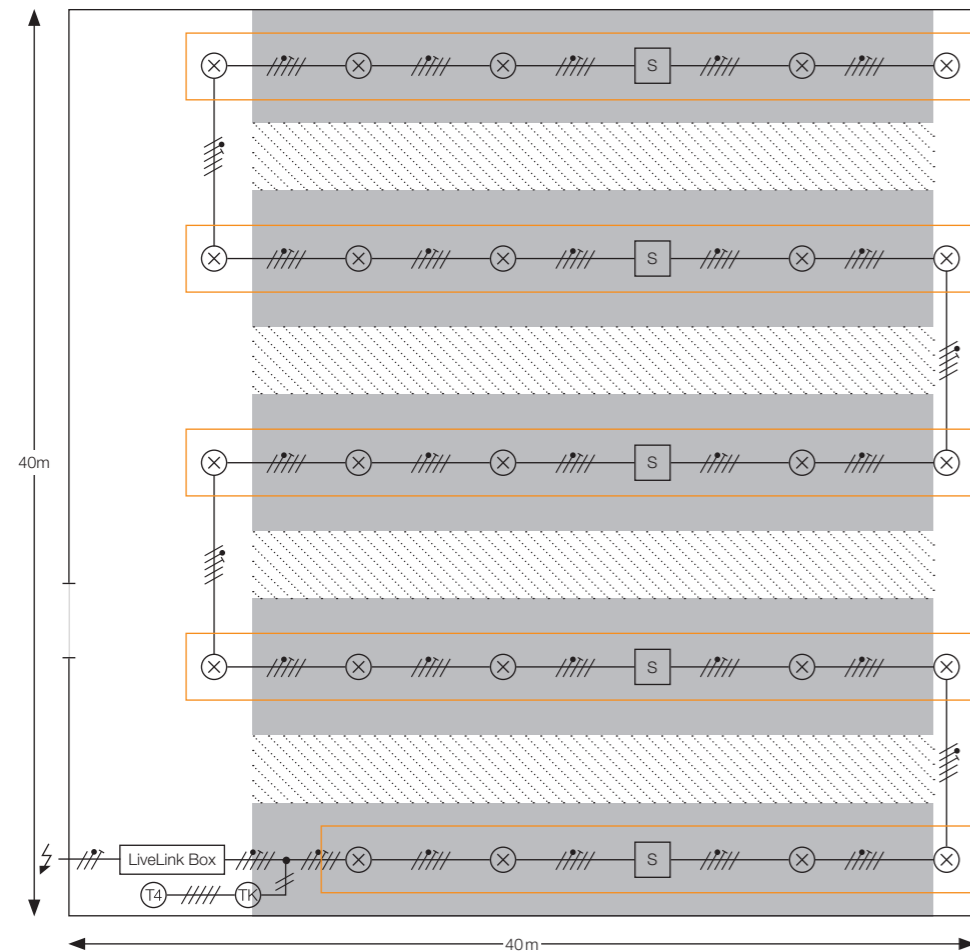
IS 345 MX Highbay LiveLink

With mounting heights of up to 14m and a detection zone of 30x4m, perfect for aisles in high-bay warehouses.
For EANs, see page 29



LiveLink Control Box

Capability of providing customised control for several lighting groups with their own sensor with a Control Box.
EAN 4007841 013653



LiveLink sensors and accessories

This is where you will find our time-tested sensors with infrared, high-frequency and ultrasonic technology with LiveLink interface. Always the right sensor for your application. Using integrated and autonomously encrypted WiFi, the Control Boxes provide the perfect link and security. Switch coupler and KNX Gateway let you configure and integrate systems into an existing building automation set-up.



LiveLink Control Box
Control of up to 64 DALI users in 16 groups.
EAN 4007841 013653



LiveLink Control Box WiFi Connect
(suitable for interconnecting several LiveLink Control Boxes in the master-slave network)
Several control devices can be interconnected via their own LiveLink WiFi.
EAN 4007841 035129



Switch coupler: 4x DALI
For integrating up to 4 standard switches.
EAN 4007841 013660



IR Quattro HD LiveLink
Mounting height of up to 10 m and a detection zone of up to 36x36 m.
EAN 4007841 009717



IR Quattro SLIM XS LiveLink
At an installed height of just 4 mm, this presence detector covers an area of up to 16 m².
EAN 4007841 033040 (square)
EAN 4007841 035235 (round)



IR Micro LiveLink
At a maximum mounting height of 2.8 m with a presence zone of 4 x 4 m. With patented multi-segment pyro sensor and eight user-friendly functions.
EAN 4007841 009748



HF 360 LiveLink
Very good detection of movement towards the detector.
EAN 4007841 033972



Dual HF LiveLink
High-frequency sensor for full, precision detection with a reach of up to 20 metres.
EAN 4007841 009700

→ You will find an overview of all products, including where to use them, on page 70/71



US 360 LiveLink
All-round precision detection thanks to ultrasonic technology - behind objects and at extreme temperatures.
EAN 4007841 008444



Dual US LiveLink
The perfect corridor sensor with a detection zone of 3x20 m.
EAN 4007841 008420



Single US LiveLink
180° sensor for corridors up to 10 m in length.
EAN 4007841 008437



DualTech LiveLink
The best qualities of infrared and ultrasonic technology combined in one detector.
EAN 4007841 008451



IS 3360 LiveLink
Suitable for ceiling heights of up to 4 m, this sensor can cover more than 1000 m².
EAN 4007841 049362 (surface-mounted, square)
EAN 4007841 049379 (surface-mounted, round)
EAN 4007841 049386 (concealed, square)
EAN 4007841 049393 (concealed, round)



IS 345 LiveLink
A special corridor detector watches over 23x6 m.
EAN 4007841 049416 (surface-mounted, square)
EAN 4007841 049423 (surface-mounted, round)
EAN 4007841 049430 (surface-mounted, square)
EAN 4007841 049447 (concealed, round)



IS 3360 MX Highbay LiveLink
Mounting heights of up to 14 m are perfect for watching over high spaces.
EAN 4007841 009724



IS 345 MX Highbay LiveLink
With mounting heights of up to 14 m and a detection zone of 30x4 m, perfect for aisles in high-bay warehouses.
EAN 4007841 009731



IS 3180 LiveLink
Watches over areas as large as 500 m² with a maximum reach of 20 m.
EAN 4007841 049409 (surface-mounted, square)
EAN 4007841 055752 (concealed, square)



HF 3360 LiveLink
High-frequency technology for detection regardless of temperature.
EAN 4007841 049454 (surface-mounted, square)
EAN 4007841 055639 (surface-mounted, round)
EAN 4007841 055622 (concealed, square)
EAN 4007841 055646 (concealed, round)



Light Sensor Dual LiveLink
Directed and diffuse measurement for optimum control of room lighting.
EAN 4007841 009762

Starter kits for frequent applications

Classroom starter kit
Starter kit for classrooms
Comprising the Control Box, IR Quattro HD LiveLink presence detector and the DALI 4x switch coupler.
EAN 4007841 033958

Highbay Aisle starter kit
Starter kit for high-bay warehouses
Comprising the Control Box and two IS 345 MX Highbay LiveLink sensors.
EAN 4007841 052829

Small Office starter kit
Starter kit for small offices
Comprising the Control Box, IR Quattro SLIM XS LiveLink and the DALI 4x switch coupler.
EAN 4007841 052843

Corridor starter kit
Starter kit for corridors and passageways
Comprising the Control Box and the Dual HF LiveLink.
EAN 4007841 052836



The gateway to intelligent lighting control.

Integrating a complete control unit into the load section of a sensor has enabled us to combine the key functions for DALI-based lighting control for straightforward installation and use. This provides an easy, fast and cost-effective way of providing solutions for many different applications. DALI plus – developed for everyone wanting to create and quickly implement innovative lighting management.

DALI plus. The gateway to intelligent lighting control.

33

Whether classroom, open-plan office or single office, our DALI plus solution is both easy to use and effective. With intelligent sensors that come with a complete lighting control module. The control unit fitted in the load section makes installation both fast and easy. Using the Smart Remote, you can control up to 64 luminaires via 3 lighting channels by app. DALI plus is the ideal solution for anyone wishing to plan and install intelligent lighting with just a few components.

3 operating modes

- **ON/OFF:** presence-controlled activation and deactivation
- **Constant-lighting control:** (daylight control) with offset
- **ECO-ON function:** automatically ON 10 – 70%, 100% only in response to manual switch actuation

Use of the floating output

- **Light:** connected lighting group can be controlled via switch (fully / semi-automatic)
- **Electronic ballast OFF** (ballast-OFF function): electronic ballast + luminaires completely disconnected from the power supply. This ensures maximum savings when not in use.
- **HVAC:** air-conditioning, heating and ventilation controlled in relation to presence only
- **Nightmatic function:** continuous lighting at 100% output when ambient light falls below a specific level, e.g. for architectural lighting
- **Pulse mode** (2 sec. ON): for connecting to timer

Interconnected groups

- **Master/master** (2x DALI plus sensor)
- **Neighbouring-light function** (convenience function): on detecting movement, sensor switches to main light level, interconnected sensor not detecting movement switches to basic light level
- **Master/slave** (DALI plus sensor with LiveLink or COM1 sensor): only for extending detection zone

Special functions

- **Fully automatic mode:** for switching ON and OFF automatically
- **Semi-automatic mode:** for switching ON manually and OFF again automatically
- **Basic light level:** continuous night-time illumination at 10–50% light output



IR Quattro HD DALI plus. Pure intelligence – installed in a single sensor.

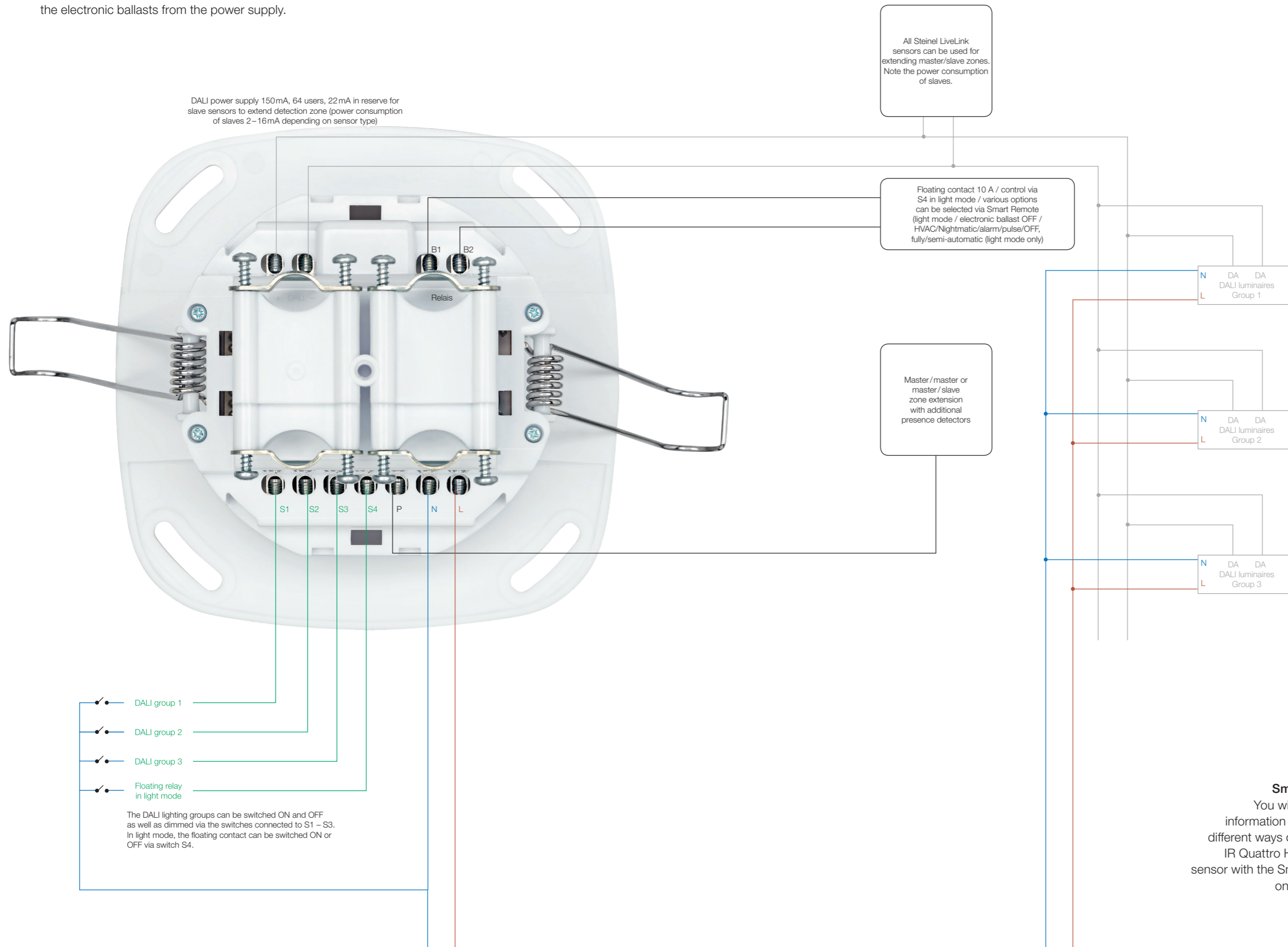
The intelligent IR Quattro HD DALI plus presence detector is the brains of the DALI plus system. With a mounting height of 2 to 10 metres, it can be used anywhere. It has 3 lighting channels (DALI addressable) and can control up to 64 luminaires. There is also the option of operating the 64 luminaires in broadcast mode (factory setting). It also has an additional, floating relay. Everything can be operated via a switch interface (ON/OFF and dimming). All configurations, including constant-lighting control and variable basic light functions, can be controlled via Smart Remote for added user convenience.

IR Quattro HD DALI plus.

Configuration diversity.

35

The DALI plus sensor lets you divide as many as 64 DALI luminaires into 3 lighting groups and control them in the chosen set-up. Each lighting group can be set and controlled to suit any requirement, e.g. 2 lighting groups in fully automatic mode and one lighting group in semi-automatic mode. An additional floating contact can be used for various control operations, such as for controlling an additional ON/OFF lighting group or HVAC, or for disconnecting the electronic ballasts from the power supply.



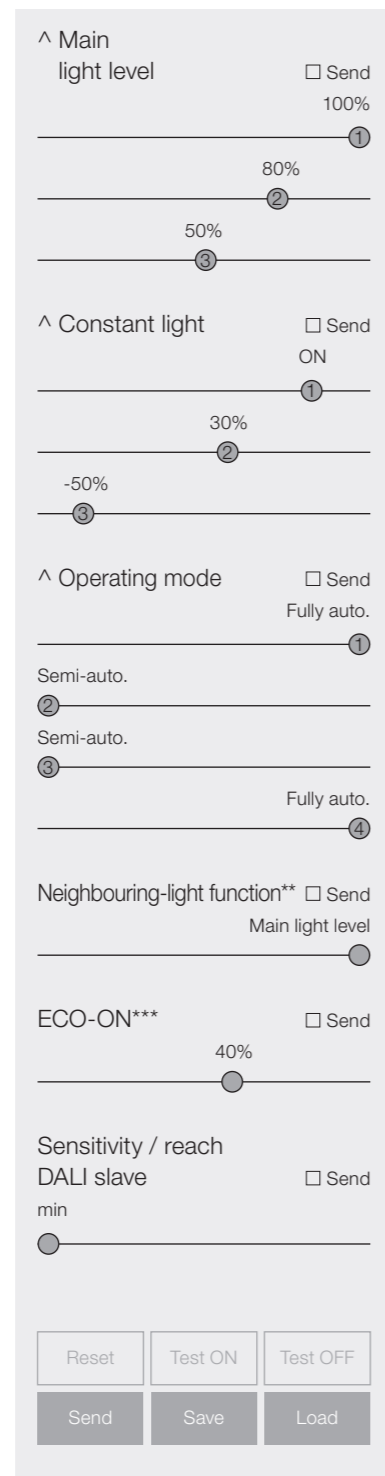
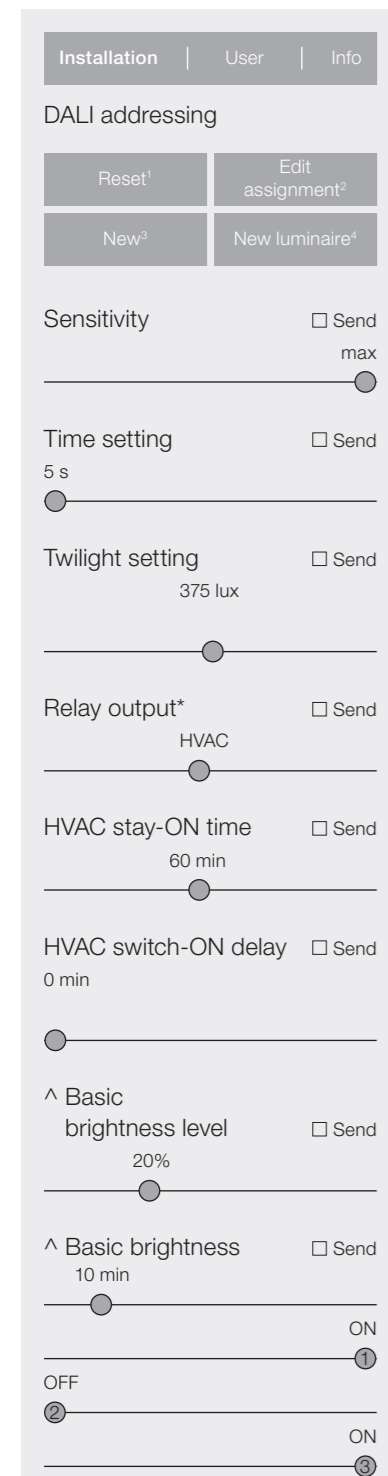
Control via Smart Remote
You will find further information on the many different ways of setting the IR Quattro HD DALI plus sensor with the Smart Remote on page 36/37.



Smart Remote. The remote control, in DALI plus mode.

The never-ending search for the right remote control is over. With the Smart Remote, all STEINEL sensors and sensor-switched lights can be controlled very conveniently with just one device. Simply download the appropriate app to your smartphone or tablet, connect via Bluetooth to the Smart Remote and control all STEINEL products from a central point via infrared. It doesn't get any smarter than that!

Here is an overview of Smart Remote functions for the IR Quattro HD DALI plus.



* **Relay output:** for selecting the operating mode of the floating relay

** **Neighbouring-light function:** on detecting movement, sensor switches to main light level, inter-connected sensor not detecting movement switches to basic light level

*** **ECO-ON function:** light switches ON automatically at dimmed level (10-70%). Light can only be switched ON at full output (100%) manually. (Constant-lighting control always deactivated).

App for intuitive control of lighting and sensors.



Download app.



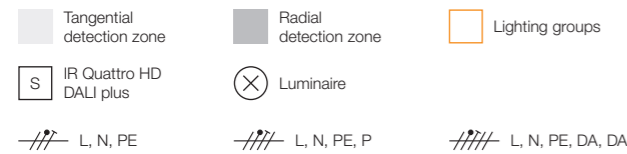
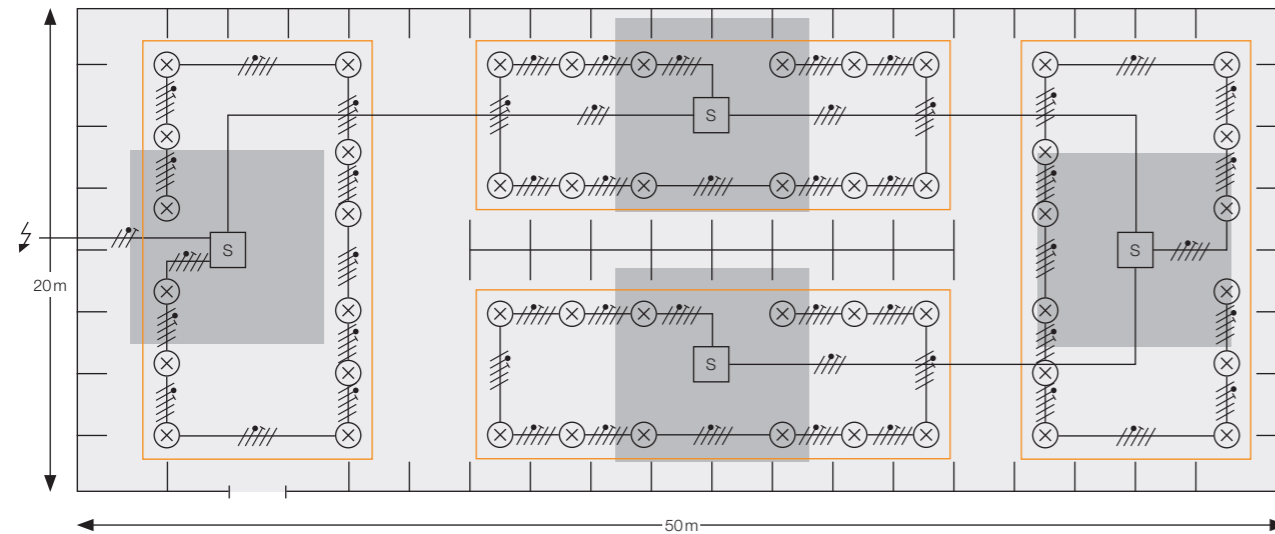
Connect Smart Remote via Bluetooth.



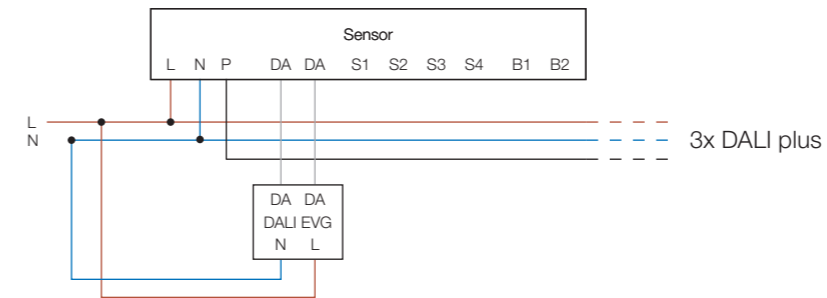
Device is ready for use.

¹ **Reset:** restores factory setting ² **New:** addressing of all newly connected DALI users and assignment to the lighting group
³ **Edit assignment:** for moving addressed luminaires to other lighting groups
⁴ **New luminaire:** subsequent addressing and assignment of an unaddressed luminaire to a group (e.g. when exchanging one for another)

Reliable parking-level surveillance from four interconnected sensors. Four IR Quattro HD sensors watch over the entire parking level and ensure that safety and security always have priority. Each sensor switches its own lighting group ON and OFF and is linked with the other three sensors by wired interconnection. Once a detector identifies movement, the relevant lighting group switches ON at full light intensity. The practical neighbouring-light function also activates the other zones of the parking level: the other three sensors interconnected via P conductor switch their lighting groups to basic light level so that the rest of the parking level is always illuminated with dimmed light. All sensors switch the lights OFF completely after the stay-ON time expires.



Installation



Settings via Smart Remote¹



- > Assign luminaires to the groups
- > Reach 100%
- > Time 5 min
- > Light level 75 lux
- > Basic light level 20%, OFF
- > Main light level 100%²
- > Constant-lighting control OFF
- > Fully automatic mode
- > Neighbouring-light function ON, basic light level
- > ECO-ON deactivated

Product list



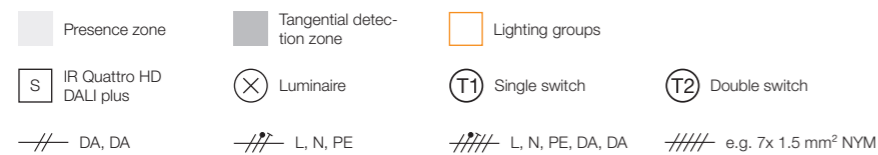
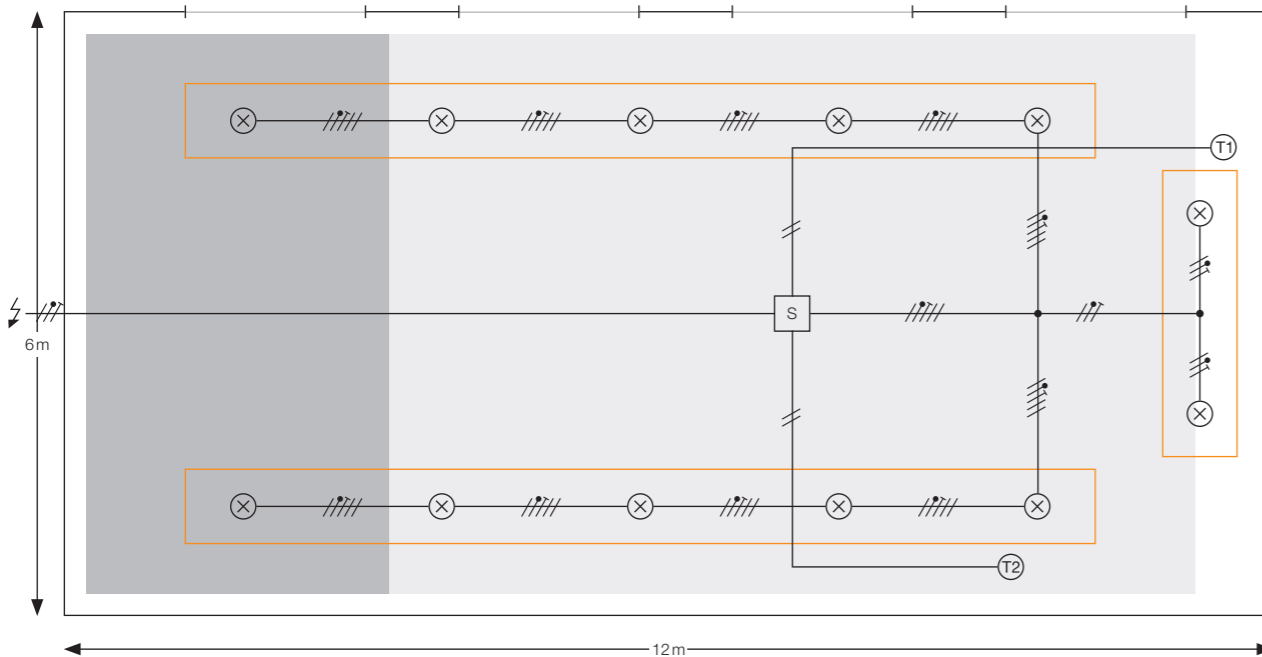
IR Quattro HD DALI plus

Control of up to 64 DALI lights
in 3 groups per sensor
EAN 4007841 035204 (ceiling-flush installation)
EAN 4007841 035273 (surface-mounted version)

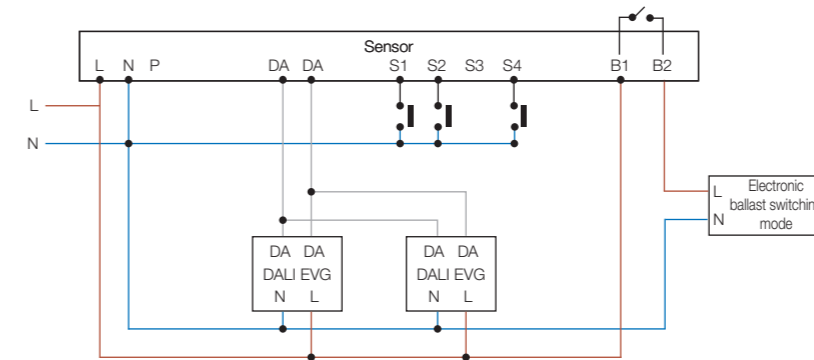
¹Functions explained on page 36

²Must be set on commissioning (depending on light level)

Fully and partially automatic control of three lighting groups with only one sensor. In this typical classroom three continuous rows of luminaires create an atmosphere conducive to learning. The two main lighting groups at the windows and in the corridor are controlled fully automatically by constant-lighting control via a DALI control device. The blackboard lighting is operated semi-automatically as a separate lighting group with a switchable control device (ON manually, OFF automatically). With its 64 m² presence detection zone, the IR Quattro HD detects all movements in the classroom. All lighting groups can be overridden at any time via switch (connection at sensor: S1 and S2 for the window and corridor group, S4 for blackboard lighting). The DALI lighting groups are switched ON and OFF manually and also dimmed manually. Alternatively, the blackboard lighting can also be provided as lighting group 3 with DALI luminaires (simply connect the switch to S3 for ON/OFF/dimming). Then, for example, the floating contact can be used for controlling HVAC or for disconnecting DALI electronic ballasts from the power supply to save energy.



Installation



Settings via Smart Remote¹



- > Assign luminaires to the groups
- > Reach 100%
- > Time 5 min
- > Light level 500 lux
- > Relay output - light
- > Basic light level OFF
- > Main light level 80%
- > Const G1 ON, const G2 offset -20%²
- > Operating mode G1 and G2 fully automatic, G4 semi-automatic
- > Neighbouring-light function OFF
- > ECO-ON deactivated
- > Reach of LiveLink slave

Product list



IR Quattro HD DALI plus

4,800 switching zones and 8 x 8 m presence zone as well as 20 x 20 m motion detection cover the entire classroom.
 EAN 4007841 035204 (ceiling-flush installation)
 EAN 4007841 035273 (surface-mounted version)

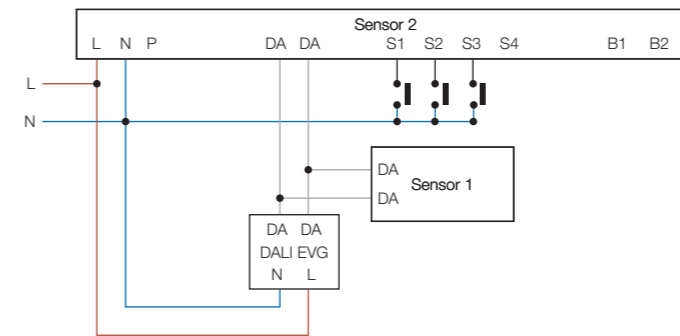
¹Functions explained on page 36

²To be defined to suit room

Intelligent control of three lighting groups by means of constant-lighting control via a master sensor.

The three lighting groups in the open-plan office come with customisable offsets. This makes optimum use of varying natural daylight in the office – to provide work-friendly illumination in every last corner. A master sensor (DALI plus) and three slave sensors (LiveLink) watch over the entire office by means of HD presence detection (up to 64 m² per sensor). In the master-slave network, all four sensors work perfectly together as an overall system. The slave sensors send detected movements to the master which controls lighting in line with settings. Directly connected to the sensor are three switches that can be used for switching luminaires ON and OFF manually and also dimming them manually. When the last person leave the room, the sensor immediately switches OFF the lighting after the stay-ON time expires. If necessary, it is also possible to select a second stay-ON time with basic illumination before the sensor finally switches lighting OFF completely.

Installation



Settings via Smart Remote¹



- > Assign luminaires to the groups
- > Reach 100%
- > Time 5 min
- > Light level 500 lux
- > Basic light level OFF
- > Main light level 80%
- > Const G1 ON, const G2 offset -20%², const G3 offset -40%²
- > G1 – G3 operating mode, fully automatic
- > Neighbouring-light function OFF
- > ECO-ON deactivated
- > Reach of LiveLink slave

Product list



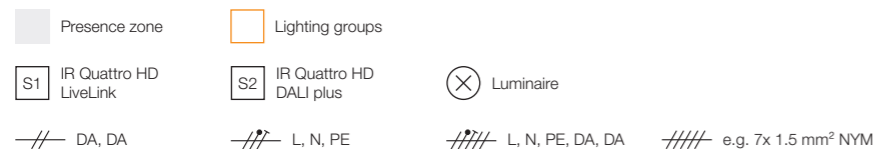
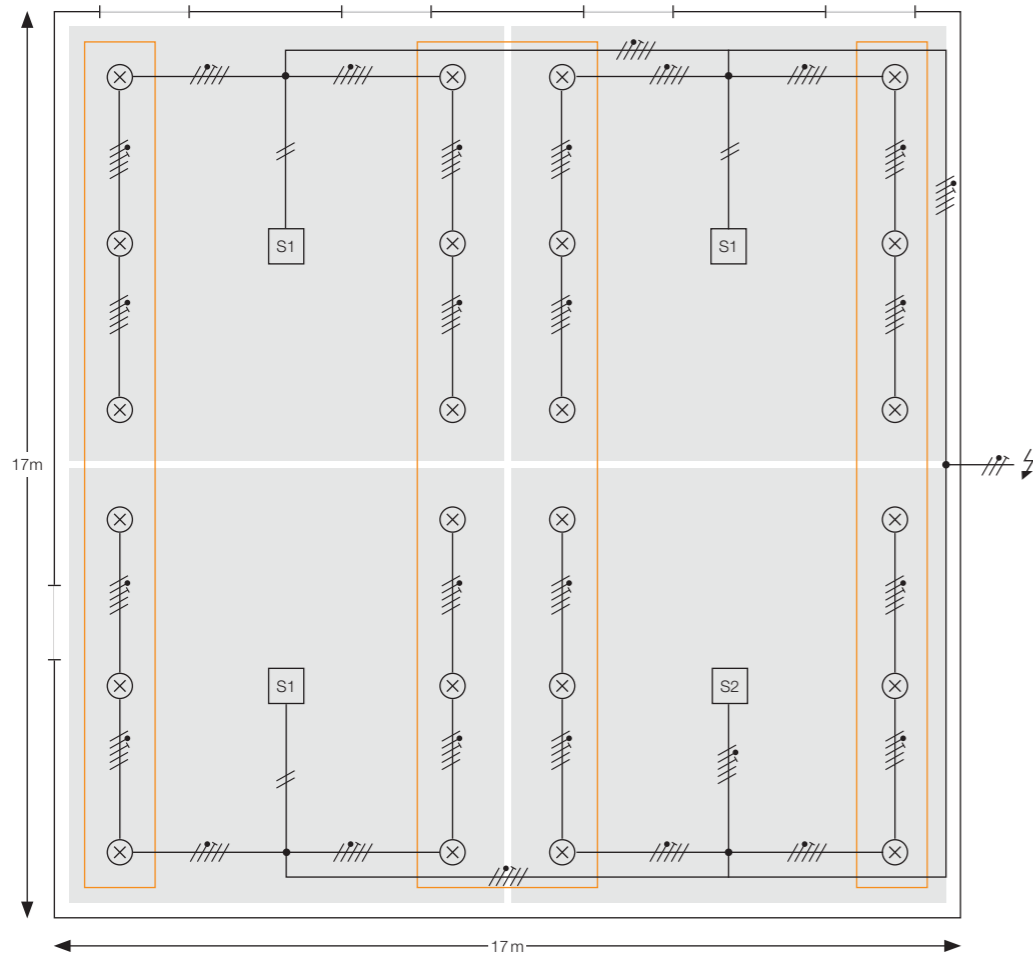
IR Quattro HD DALI plus

4,800 switching zones and 8 x 8 m presence zone as well as 20 x 20 m motion detection cover the entire open-plan office.
 EAN 4007841 035204 (ceiling-flush installation)
 EAN 4007841 035273 (surface-mounted version)



IR Quattro HD LiveLink

4,800 switching zones and 8x8m presence zone prevent inadvertent triggering and blind spots.
 EAN 4007841 009717



¹Functions explained on page 36

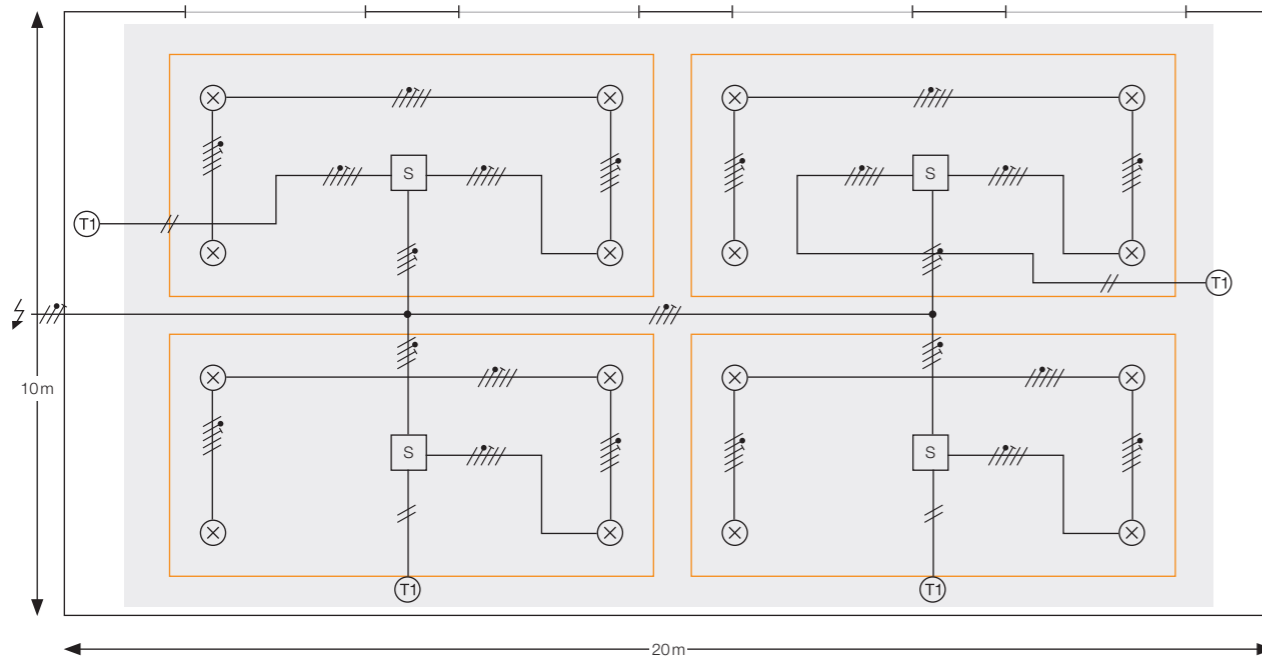
²To be defined to suit room

DALI plus

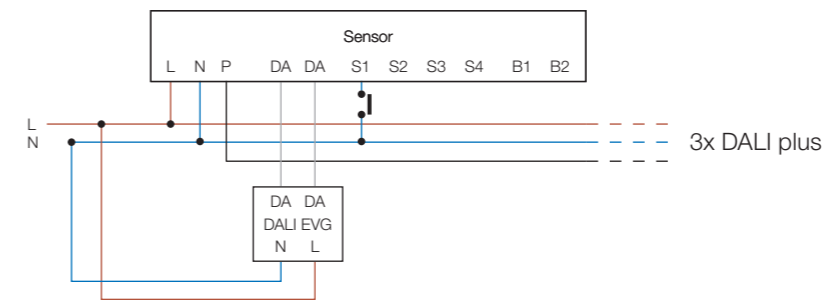
Open-plan office with neighbouring-light function

45

Four work islands communicating via neighbouring-light function – each individually controlled by a sensor with constant-lighting control (or by switch). Each one of the four sensors detects even the smallest of movements within a presence detection zone of up to 64 m² (8 x 8 m). Individual detection zones can be tailored to the work islands with absolute precision by mechanical reach adjustment. Because good teamwork means everything, the sensors are interconnected via P conductor. As soon as movement is detected in a sensor zone, that sensor switches ON the luminaires assigned to it at full output. If, with neighbouring-light function activated, a movement in another zone is communicated, all zones switch to basic light level even though they have not detected any movement themselves. This ensures a pleasant working environment at all times, without any areas left in darkness.



Installation



Settings via Smart Remote¹



- > Assign luminaires to the groups
- > Reach 100%
- > Time 5 min
- > Light level 500 lux
- > Basic light level 20%
- > Main light level 100%
- > Const G1 ON
- > G1 operating mode – fully automatic
- > Neighbouring-light function ON
- > ECO-ON deactivated

Product list



IR Quattro HD DALI plus

4,800 switching zones and 8 x 8 m presence zone as well as 20 x 20 m motion detection cover the entire open-plan office.

EAN 4007841 035204 (ceiling-flush installation)
EAN 4007841 035273 (surface-mounted version)

¹Functions explained on page 36

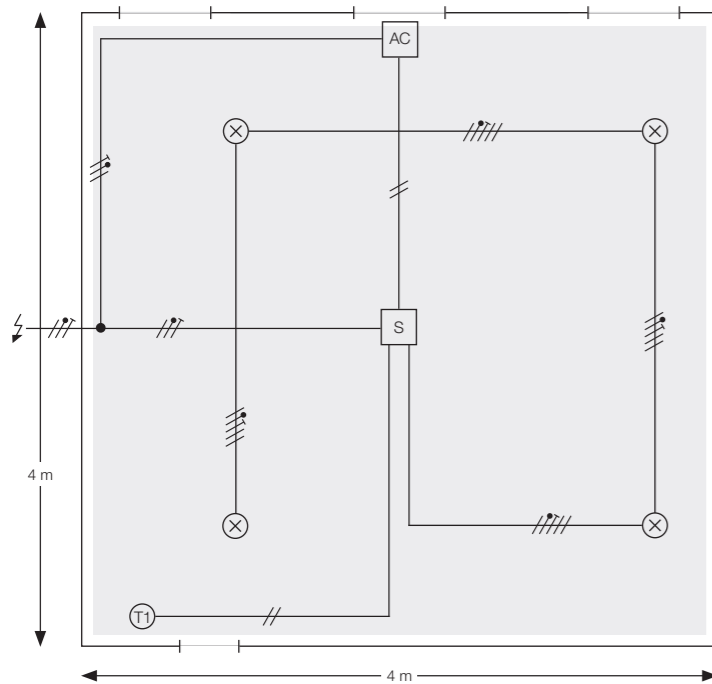
DALI plus

Single office with HVAC system

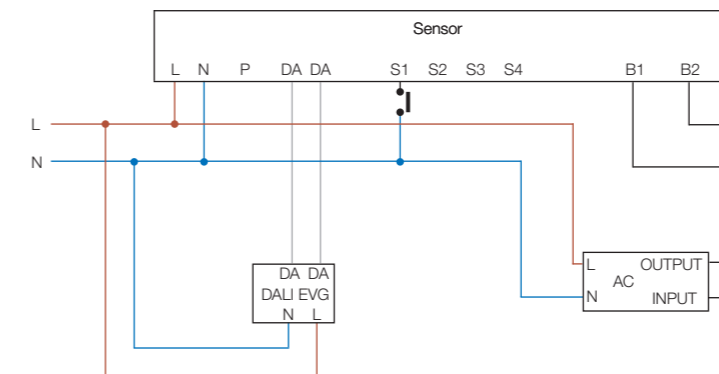
47

Constant-lighting control and intelligent HVAC management with just one sensor. In the conference room, the IR Quattro HD not only manages lighting but also delivers a control signal to the HVAC system when anyone is present in the room. Depending on human presence and daylight, luminaires are managed as an overall group with constant-lighting control.

When people are present, the signal is also passed on directly to the HVAC system irrespective of light level. The switch-ON delay makes sure that HVAC only comes ON when the room is permanently occupied. If someone enters a room and quickly leaves it again, air-conditioning, heating and ventilation remain switched OFF. Lighting can be switched ON and OFF manually and also dimmed manually. The switch has no influence on HVAC control. The IR Quattro HD sensor watches over the entire single office and detects even the smallest of movements within a presence zone of up to 64 square metres (8x8m).



Installation



Settings via Smart Remote¹



- > Assign luminaires to the groups
- > Reach 100%
- > Time 5 min
- > Light level 500 lux
- > HVAC relay output
- > HVAC stay-ON time 30 min, room surveillance with switch-ON delay
- > Basic light level OFF
- > Main light level 80%
- > Const G1 ON
- > G1 operating mode – fully automatic
- > Neighbouring-light function OFF
- > ECO-ON deactivated

Product list



IR Quattro HD DALI plus

The floating relay can be used for controlling HVAC with its own switch-ON delay used as a stay-ON time
 EAN 4007841 035204 (ceiling-flush installation)
 EAN 4007841 035273 (surface-mounted version)

¹Functions explained on page 36

DALI plus sensors

The intelligent high-end IR Quattro HD DALI plus presence detector is the brains of the DALI plus system. Because it can be mounted at heights from 2 to a maximum of 10 metres, it can be installed practically anywhere. It can control three addressable lighting groups for up to 64 luminaires. With the universal Smart Remote remote control unit, it is also possible to read out existing sensor settings. Constant-lighting control, which can be set in any way for three groups, along with extended user-friendly functions, such as the neighbouring-light function and basic light level, complement the options provided for intelligent lighting control.



IR Quattro HD DALI plus

Perfect coverage with 4,800 switching zones and 8x8 m presence zone as well as 20x20m motion detection.

EAN 4007841 035204



IR Quattro HD DALI plus AP (surface-mounted)

Perfect coverage with 4,800 switching zones and 8x8 m presence zone as well as 20x20m motion detection.

EAN 4007841 035273



Sensors from STEINEL with DALI technology.

Fully compatible and more intelligent than you think. STEINEL DALI sensors are your DALI System's sensory organs. Taking care of important functions, they integrate seamlessly into your DALI installation set-up. From the single office to an entire multi-storey car park. STEINEL sensors deliver the information and setting options for intelligent lighting control.

DALI broadcast – the basic solution to intelligent lighting.

DALI (Digital Addressable Lighting Interface) offers almost boundless potential. Lighting control, sensors, electronic control devices and lights work exceptionally well with the professional interface standard. They communicate with each other and respond to each other without any obstacle whatsoever. In conjunction with constant-lighting control via 2 light channels, STEINEL DALI presence detectors provide optimum control for strip lighting in relation to natural daylight.

1 or 2-channel broadcast

- **2x 12 DALI electronic ballasts** with the Control PRO range
- **1x 30 DALI electronic ballasts** with the 3000 series

Constant-lighting control and variable basic light functions

- **Constant-lighting control**, incorporating the natural daylight component
- **2-channel control** with presence detector offset possible
- **ON/OFF function** when constant lighting is deactivated
- **Basic light-level function** for convenience or safety lighting as second stay-ON time or if ambient brightness falls below light-level setting (10-50%)

Interconnected groups

- **Master/slave interconnection** via presence-detector P conductor
- **Master/slave interconnection** via DALI bus with LiveLink sensors as slave
- **For extending detection zone** to cover large areas, with settings being made at only one sensor (master)

Can be remotely controlled

- **Easily adjustable** via Smart Remote or RC8/RC5
- **Extended settings** can only be made via remote control

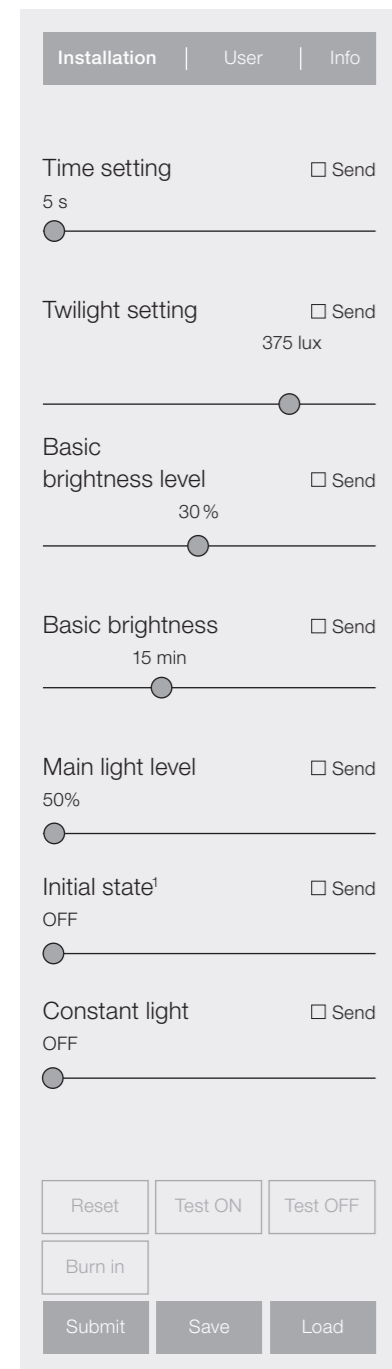


DALI broadcast – easy to install and adjust.

55

With DALI broadcast, all user loads follow the control signal. The standard interface makes it easy to install components via plug and play. Settings are made either directly at the sensor or, for added convenience, via Smart Remote or remote control from the floor.

Here are the options for setting the Smart Remote for the 3000 series sensors.



App for intuitive control of lighting and sensors.



Download app.



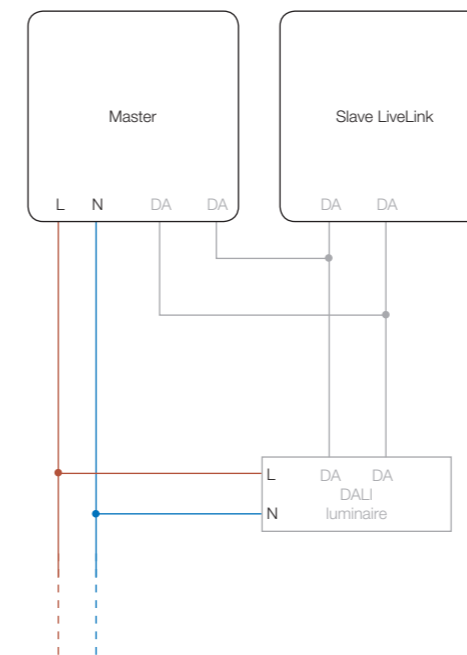
Connect Smart Remote via Bluetooth.



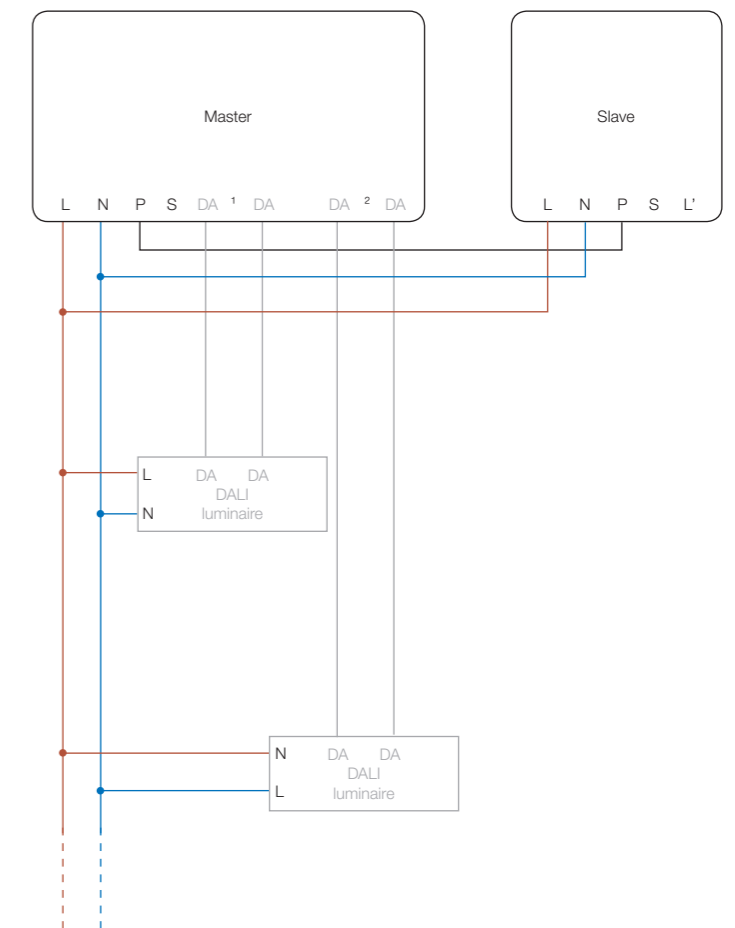
Device is ready for use.

¹ **Initial state:** behaviour on power recovery: sensor only switches in response to movement.

3000 series



Control PRO



One system, countless options.

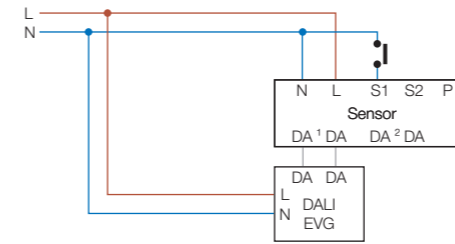
STEINEL sensors from the 3000 series, the Control PRO range and the new sensor switches are always sure to give you exactly the right sensor for your particular application. You can connect as many as 30 electronic ballasts (for the 3000 series) and 2 x 12 electronic ballasts for the Control PRO range and the sensor switches. Needless to say, all DALI convenience functions, such as constant-lighting control and basis light-level functions, as well as interconnected groups are at your disposal – manual dimming is also possible for the Control PRO sensors as well as the sensor switches. On top of this, all sensors are easy to set via Smart Remote or remote control.

DALI

Single office

Automatic, manually overridable lighting control with only one sensor. Small office, even less effort: one DALI broadcast sensor makes easy work of controlling single offices with one or, at most, two lighting groups. This is done either via practical constant-lighting control or via switching mode. The switch connected makes it easy to switch the lighting group ON and OFF manually and also to dim it manually. The IR Quattro SLIM watches over a presence detection zone of 4 x 4 m.

Installation



Settings via Smart Remote¹



- > Time 5 min
- > Light level 500 lux
- > Basic light level OFF
- > Constant-lighting control ON
- > Fully automatic mode

Product list



IR Quattro SLIM DALI

At an installed height of just 4 mm, this presence detector covers an area of up to 16m².
EAN 4007841 005795



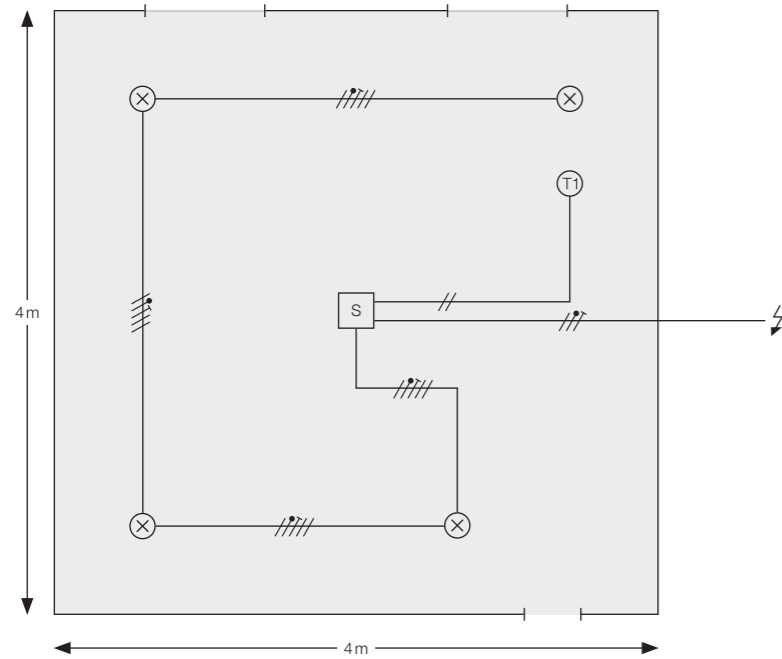
IR Quattro DALI

Alternative ceiling sensor with 16m² presence and 49m² tangential detection zone.
EAN 4007841 002749



IR 180 DALI

Alternative presence switches with 180° detection.
For EANs, refer to page 66/67



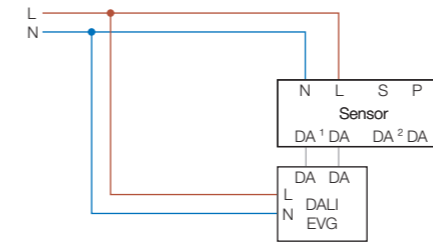
- Presence zone
- IR Quattro SLIM DALI
- Luminaire
- Single switch
- 2x 1.5 mm²
- L, N, PE
- L, N, PE, DA, DA

¹Functions explained on page 54

Corridor/passageway/aisle

Fully automatic safety lighting in corridors. On entering the corridor or passageway, lighting switches ON fully automatically via sensor. During the night, dimmed basic light provides reassuring and convenient safety lighting. Providing radial detection coverage over up to 20 m, the Sensor Dual HF sensor is the perfect choice for the working conditions in corridors. Lighting can be manually requested at any time via switch.

Installation



Settings via Smart Remote¹



- > Time 5 min
- > Light level 500 lux
- > Basic light level ON, all night
- > Constant-lighting control ON
- > Fully automatic mode

Product list



Dual HF DALI

For full, precision detection with a reach of up to 20 metres.
EAN 4007841 003005



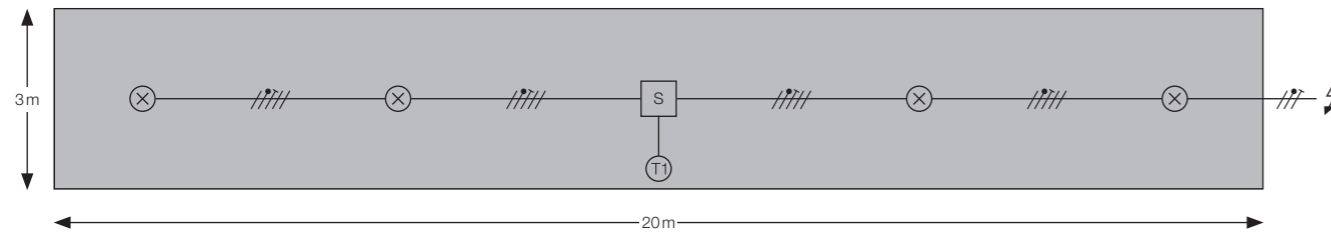
IS 345 DALI

Alternative corridor sensor with 45° angle of aperture for 23x6m detection.
For EANs, refer to page 67/68



IR 180 DALI

Alternative presence switches with 180° detection.
For EANs, refer to page 66/67



- Radial, tangential detection zone
- S Dual HF DALI
- ⊗ Luminaire
- ⊙ T1 Single switch
- 2x 1.5 mm²
- L, N, PE
- L, N, PE, DA, DA

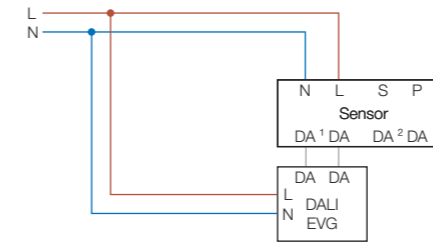
¹Functions explained on page 54

DALI

WC / washroom

Controlling a uniformly shaped lighting zone with the HF 360 DALI. High-frequency technology can do more. For instance, reliably detect movement behind cubicle doors. This also makes HF technology ideal for washroom and WC facilities. Only condition: doors must not be made of metal. For safety reasons, a basic level of lighting is switched ON with second stay-ON time before light goes out completely – for all eventualities as a clear warning that lighting is about to switch OFF.

Installation



Settings via Smart Remote¹

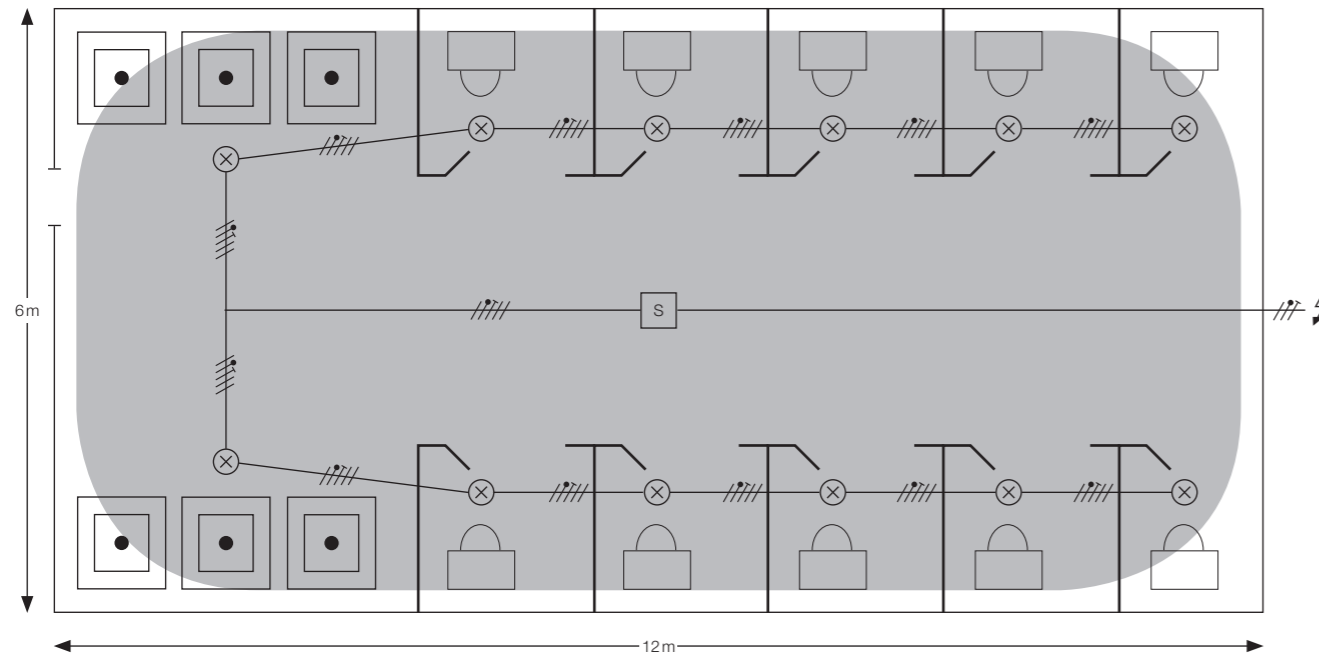


- > Time 5 min
- > Light level 300 lux
- > Basic light level ON, 10 minutes
- > Constant-lighting control OFF
- > Fully automatic mode

Product list



HF 360 DALI
 HF technology detects human presence through cubicle doors (not made of metal), reducing the number of sensors needed.
 EAN 4007841 002817

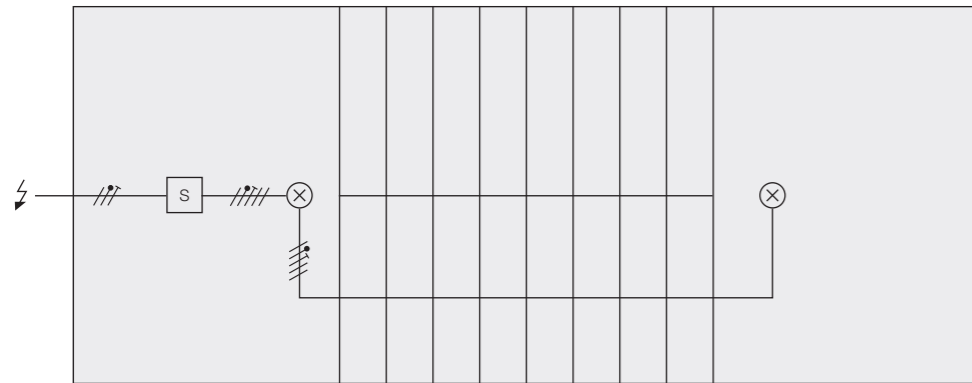


¹Functions explained on page 54

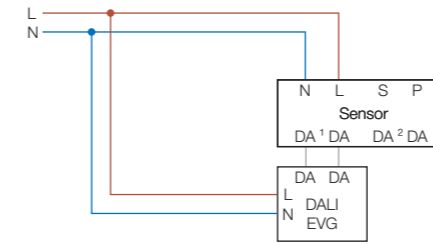
DALI

Stairwell


High-frequency technology for reliable surveillance. Safety is a particularly important aspect in stairwells. This is where anyone opting for high-frequency rather than infrared technology is always on the safe side. In this case, the HF 360 DALI watches over the area at the top and bottom of stairs and at intermediate level. The detection zone has a diameter of up to 12 m and, depending on situation, can also be adjusted to cover smaller areas. The detector switches ON basic light level at 20% output when ambient brightness falls below 150 lux. Lighting switches to 100% output when movement is detected.



Installation



Settings via Smart Remote¹

- 
- > Time 5 min
 - > Light level 150 lux
 - > Basic light level 20%
 - > Basic light level ON, all night
 - > Constant-lighting control OFF
 - > Fully automatic mode

Product list



HF 360 DALI
 Very good detection of radial movement towards the detector.
 EAN 4007841 002817



HF 180 DALI
Alternative presence switches with 180° detection.
 For EANs, refer to page 66/67

¹Functions explained on page 54

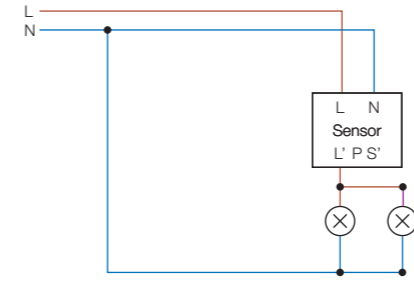
COM1

Side room

65

Light group with standard electronic ballast. This side room is fitted with a lighting group that can be turned ON and OFF via sensor switching operation. All luminaires feature a standard electronic ballast without dimming capability. When persons are present, lighting comes ON automatically if ambient brightness falls below the light level setting. Lighting is switched OFF when stay-ON time expires.

Installation



Settings via Smart Remote¹



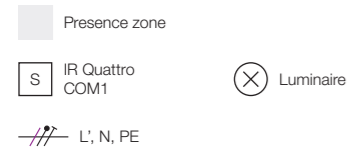
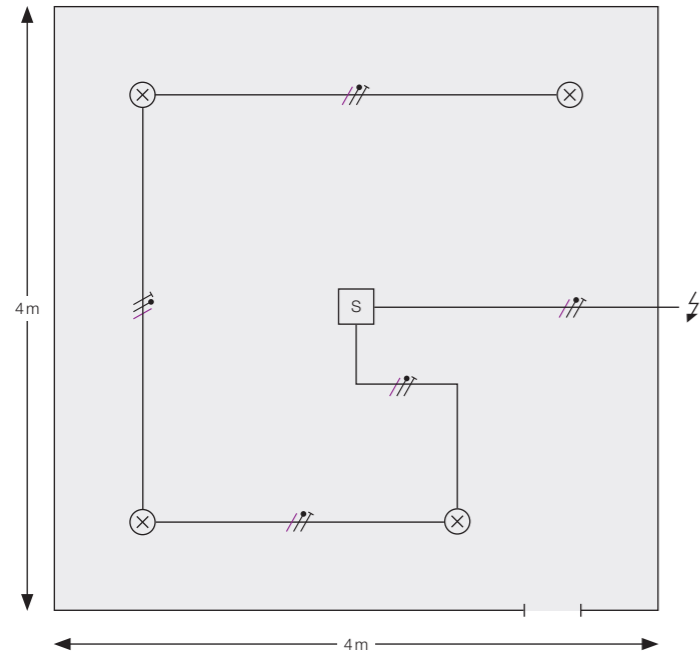
- > Time 5 min
- > Light level 300 lux

Product list



IR Quattro COM1

Scalable detection zone prevents detection in the corridor when door is open.
EAN 4007841 000349



¹Functions explained on page 54

DALI sensors

All of the sensors from our tried and proven 3000 series are now also available with DALI connection. In one go, this gives you infrared, high-frequency and twilight sensor technology in top STEINEL detection quality. Coming in a variety of design options (surface-mounted, concealed, round and square), you will always find the right sensor for your environment. STEINEL's comprehensive range of broadcast sensors is complemented by presence detectors and switches that are also available in DALI versions with top detection quality.



IR Quattro HD DALI

Mounting height of up to 10m and a detection zone of up to 36x36m.
EAN 4007841 002756



IR Quattro DALI

Mounting height of up to 10m and a detection zone of up to 49m².
EAN 4007841 002749



IR Quattro SLIM DALI

At an installed height of just 4mm, this presence detector covers an area of up to 16m².
EAN 4007841 005795



HF 3360 DALI

High-frequency technology for detection regardless of temperature.
EAN 4007841 011604 (surface-mounted, square)
EAN 4007841 033736 (surface-mounted, round)
EAN 4007841 033743 (concealed, square)
EAN 4007841 033750 (concealed, round)



IS 345 MX Highbay DALI

With mounting heights of up to 14m and a detection zone of 30x4m, perfect for aisles in high-bay warehouses.
EAN 4007841 010591 (surface-mounted, square)
EAN 4007841 033934 (concealed, square)



IS 3360 MX Highbay DALI

Mounting heights of up to 14m are perfect for watching over high spaces.
EAN 4007841 010577 (surface-mounted, square)
EAN 4007841 033606 (concealed, square)



HF 360 DALI

Very good detection of movement towards the detector.
EAN 4007841 002817



Dual HF DALI

High-frequency sensor for full, precision detection with a reach of up to 20 metres.
EAN 4007841 003005



IS 3180 DALI

Watches over areas as large as 500m² with a maximum reach of 20m.
EAN 4007841 010553 (surface-mounted, square)
EAN 4007841 055738 (concealed, square)



IS 345 DALI

A special corridor detector watches over 23x6m.
EAN 4007841 010584 (surface-mounted, square)
EAN 4007841 033859 (surface-mounted, round)
EAN 4007841 033866 (concealed, square)
EAN 4007841 033873 (concealed, round)



IS 3360 DALI

Suitable for ceiling heights of up to 4m, this sensor can cover more than 1000m².
EAN 4007841 010560 (surface-mounted, square)
EAN 4007841 033507 (surface-mounted, round)
EAN 4007841 033514 (concealed, square)
EAN 4007841 033521 (concealed, round)



IR 180 DALI

Infrared wall switch with 180° angle of coverage and 20 m reach.
EAN 4007841 033026 (white)
EAN 4007841 033019 (silver)



HF 180 DALI

High-frequency wall switch detects every movement through 180° within max. Ø1 - 8m.
EAN 4007841 032937 (white)
EAN 4007841 032920 (silver)



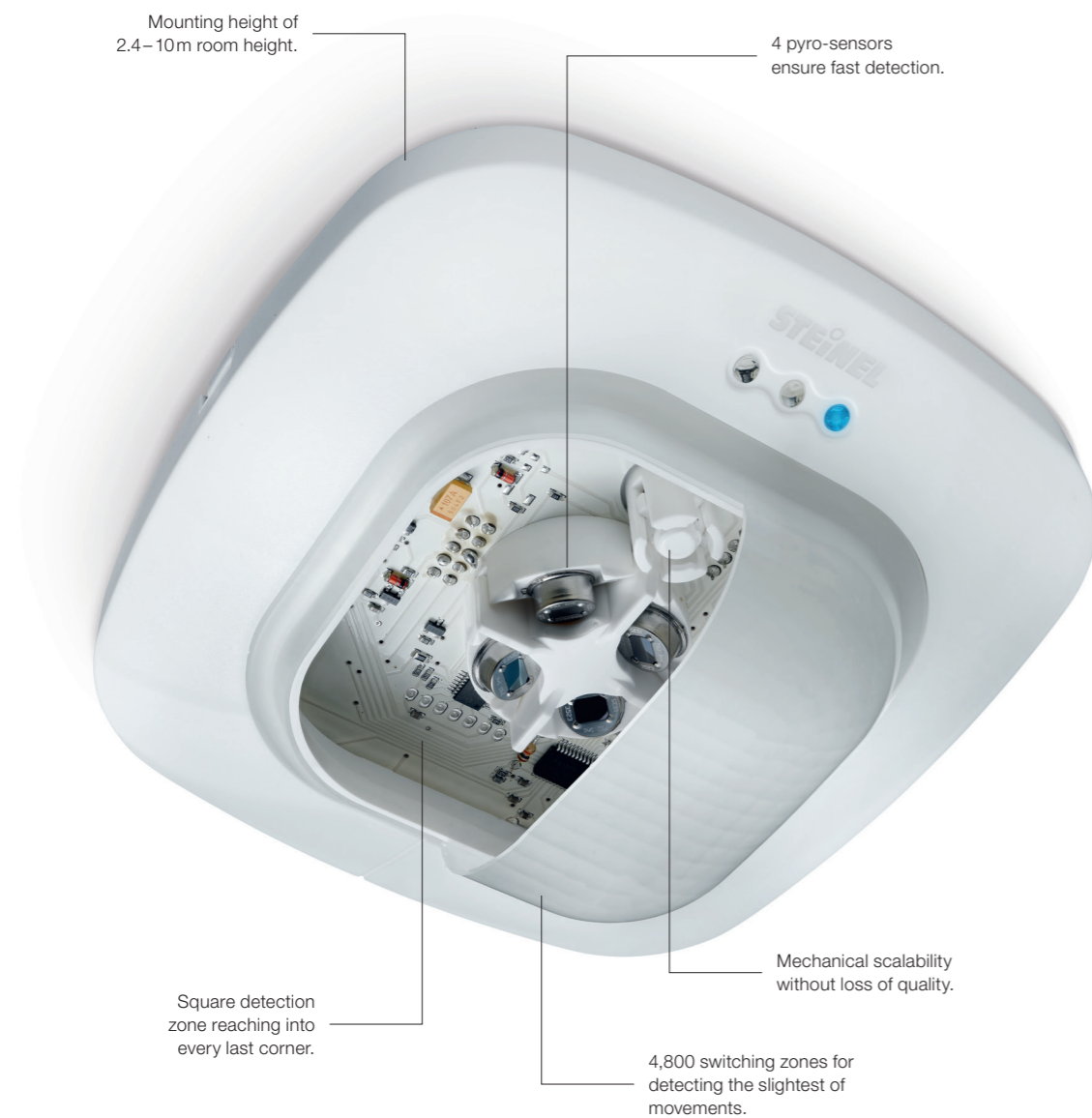
NM 5000-3 DALI

Featuring photo-cell controller using innovative diffuse light measurement.
EAN 4007841 011703 (white)
EAN 4007841 033729 (black)

→ You will find an overview of all products, including where to use them, on page 70/71

Good lighting control needs the best sensors there are.

Sensors with top detection quality and evaluation intelligence are the key to all lighting control systems. For over 30 years now, our engineers have been developing detectors that meet precisely these demands. The IR Quattro HD is just one example that demonstrates the technological highlights that are featured inside the sensor.



Presence detection zone can be adjusted in relation to mounting height

	Height 2.50m	Height 2.80m	Height 3.00m	Height 3.50m
1	3.6 x 3.6 m	3.8 x 3.8 m	4.0 x 4.0 m	4.8 x 4.8 m
2	4.0 x 4.0 m	4.4 x 4.4 m	4.8 x 4.8 m	5.0 x 5.0 m
3	4.6 x 4.6 m	5.1 x 5.1 m	5.6 x 5.6 m	5.4 x 5.4 m
4	5.2 x 5.2 m	5.5 x 5.5 m	5.8 x 5.8 m	5.8 x 5.8 m
5	5.8 x 5.8 m	5.9 x 5.9 m	6.0 x 6.0 m	6.2 x 6.2 m
6	6.8 x 6.8 m	6.9 x 6.9 m	7.0 x 7.0 m	7.2 x 7.2 m
7	7.8 x 7.8 m	7.9 x 7.9 m	8.0 x 8.0 m	8.2 x 8.2 m



LiveLink sensors

Application	Product	Design	EAN
Presence detectors			
Large office, conference room, classroom	IR Quattro HD LiveLink	Concealed installation, square	4007841 009717
Small office, side room, conference room	IR Quattro SLIM XS LiveLink	Concealed installation, square	4007841 033040
	IR Quattro SLIM XS LiveLink	Concealed installation, round	4007841 035235
Small office, side room, conference room	IR Micro LiveLink	Concealed installation, square	4007841 009748
Corridor, passageway	Dual HF LiveLink	Concealed installation, square	4007841 009700
Washroom	HF 360 LiveLink	Concealed installation, square	4007841 033972
Aisle	Single US LiveLink	Concealed installation, square	4007841 008437
Corridor	Dual US LiveLink	Concealed installation, square	4007841 008420
Classroom	US 360 LiveLink	Concealed installation, square	4007841 008444
Classroom	DualTech LiveLink	Concealed installation, square	4007841 008451
Motion detectors for indoors			
Large office, conference room, classroom	Light Sensor Dual LiveLink	Concealed installation, square	4007841 009762
Corridor, passageway, side room	IS 3180 LiveLink	Surface-mounted installation, square	4007841 049409
	IS 3180 LiveLink	Concealed installation, square	4007841 055752
Multi-storey car park, entrances, equipment room	IS 3360 LiveLink	Surface-mounted installation, square	4007841 049362
	IS 3360 LiveLink	Surface-mounted installation, round	4007841 049386
	IS 3360 LiveLink	Concealed installation, square	4007841 049379
	IS 3360 LiveLink	Concealed installation, round	4007841 049393
Corridor, passageway	IS 345 LiveLink	Surface-mounted installation, square	4007841 049416
	IS 345 LiveLink	Surface-mounted installation, round	4007841 049430
	IS 345 LiveLink	Concealed installation, square	4007841 049423
	IS 345 LiveLink	Concealed installation, round	4007841 049447
High-bay warehouse aisle	IS 345 MX Highbay LiveLink	Surface-mounted installation, square	4007841 009731
High-bay warehouse area	IS 3360 MX Highbay LiveLink	Surface-mounted installation, square	4007841 009724
WC, washroom, stairwell, side room	HF 3360 LiveLink	Surface-mounted installation, square	4007841 049454
	HF 3360 LiveLink	Surface-mounted installation, round	4007841 055639
	HF 3360 LiveLink	Concealed installation, square	4007841 055622
	HF 3360 LiveLink	Concealed installation, round	4007841 055646
Components			
LiveLink Control Box	4007841 013653	Switch coupler 4x DALI	4007841 013660
LiveLink Control Box WiFi Connect	4007841 035129	LiveLink Gateway KNX	4007841 034009

DALI plus sensors

Large office, conference room, classroom	IR Quattro HD DALI plus DE	Concealed installation	4007841 035204
	IR Quattro HD DALI plus AP	Surface-mounted installation	4007841 035273

DALI broadcast range

Application	Product	Design	EAN
Presence detectors			
Large office, conference room, classroom	IR Quattro HD DALI	Concealed installation, square	4007841 002756
Small office, side room, conference room	IR Quattro DALI	Concealed installation, square	4007841 002749
	IR Quattro SLIM DALI	Concealed installation, square	4007841 005795
Corridor, passageway	Dual HF DALI	Concealed installation, square	4007841 003005
WC, washroom, stairwell, side room	HF 360 DALI	Concealed installation, square	4007841 002817
Corridor, passageway, side room	IR 180 DALI	Concealed installation, square	4007841 033026
	IR 180 DALI	Concealed installation, square	4007841 033019
WC, washroom, corridor	HF 180 DALI	Concealed installation, square	4007841 032937
	HF 180 DALI	Concealed installation, square	4007841 032920
Motion detectors for indoors			
Multi-storey car park, entrances, equipment room	IS 3360 DALI	Surface-mounted installation, square	4007841 010560
	IS 3360 DALI	Surface-mounted installation, round	4007841 033507
	IS 3360 DALI	Concealed installation, square	4007841 033514
	IS 3360 DALI	Concealed installation, round	4007841 033521
Corridor, passageway	IS 345 DALI	Surface-mounted installation, square	4007841 010584
	IS 345 DALI	Surface-mounted installation, round	4007841 033859
	IS 345 DALI	Concealed installation, square	4007841 033866
	IS 345 DALI	Concealed installation, round	4007841 033873
WC, washroom, stairwell, side room	HF 3360 DALI	Surface-mounted installation, square	4007841 011604
	HF 3360 DALI	Surface-mounted installation, round	4007841 033736
	HF 3360 DALI	Concealed installation, square	4007841 033743
	HF 3360 DALI	Concealed installation, round	4007841 033750
High-bay warehouse area	IS 3360 MX Highbay DALI	Surface-mounted installation, square	4007841 010577
	IS 3360 MX Highbay DALI	Concealed installation, square	4007841 033606
High-bay warehouse aisle	IS 345 MX Highbay DALI	Surface-mounted installation, square	4007841 010591
	IS 345 MX Highbay DALI	Concealed installation, square	4007841 033934
Corridor, passageway, side room	IS 3180 DALI	Surface-mounted installation, square	4007841 010553
	IS 3180 DALI	Concealed installation, square	4007841 055738
Shop windows, billboards, building facades	NM 5000-3 DALI	Surface-mounted installation, square	4007841 011703
	NM 5000-3 DALI	Surface-mounted installation, square	4007841 033729
Sensor-switched lights			
Multi-storey car park, industrial and warehouse spaces	RS PRO 5800 LED		4007841 007652
	RS PRO 5800 LED Slave		4007841 007669
	RS PRO 5850 LED		4007841 007676
	RS PRO 5850 LED Slave		4007841 007683

